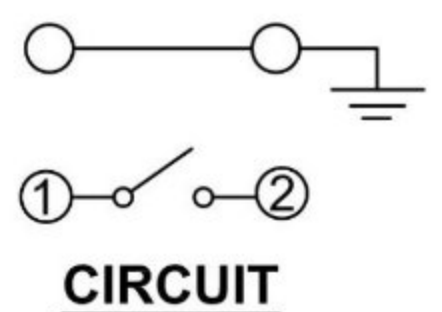


P.C.B Layout



Model.No.	A	B
DIM.(L)	3.15	3.85

- 1.Rating:DC 12V 50mA
- 2.Contact Resistance:50mΩ max
- 3.Insulation Resistance:100MΩ min(min DC 250V)
- 4.Life:100gf,160gf 50,000 Cycles
250gf 30,000 Cycles
- 5.Travel:0.25±0.1mm
- 6.General tolerance:±0.1mm

No.	NAME	MATERIAL	NATIONALITY	QTY	FINISHING
1	Terminal	Brass	China	1	Silver plating
2	Case	PA66	China	1	Black
3	Contact	SUS 301R	Korea	1	Contact side silver plating
4	Bracket	Brass	China	1	CuSn plating
5	Stem	PA66	China	1	Black

RoHS Compliant		HSM 玄茂科技股份有限公司 HSUAN MAO TECHNOLOGY CO., LTD.	
APPD. 核准 HELEN		TOLERANCE 容許公差 .0 ± .00 ± ANG ±	PART NAME 品名 TACT SWITCH RIGHT ANGLE TYPE 4.3X7.2mm BLACK COLOR ROHS
DWG. 製圖 ABBY	SCALE 比例 參考 UNIT 單位 MM	SIZE 紙張尺寸 A4	PART NO. 料號 C8311-XXB00000R
DATE 制表日 2017/06/13	PAGE 張數 1 OF 1	REV. 版次 C	