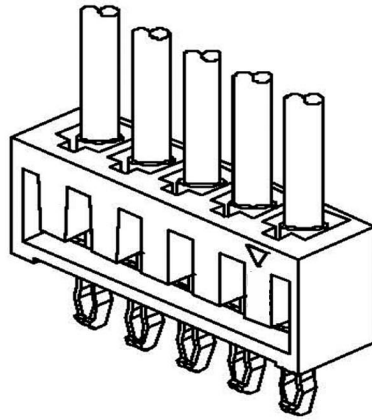


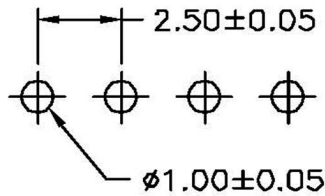
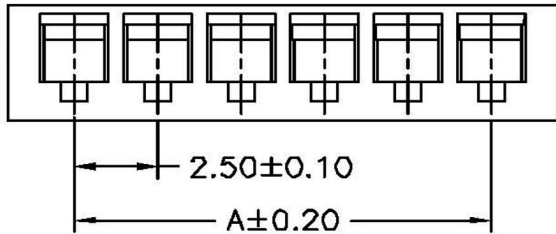
SPECIFICATIONS

Current Rating: 3A AC,DC
 Voltage Rating: 250V AC,DC
 Temperature Range: -25°C ~ +85°C
 Contact Resistance: 10mΩ Max
 Insulation Resistance: 1000MΩ Min
 Withstanding Voltage: 800V AC/minute
 Material: Nylon 66,UL94V-0
 Pantone Color: 4745C

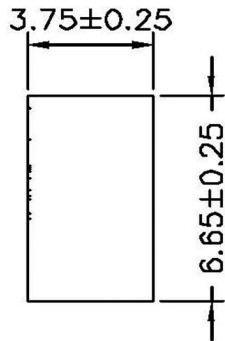


Ordering Information & Dimensions

PART NO.	Dimensions	
	A	B
H2501-02PN0000R	2.50	6.50
H2501-03PN0000R	5.00	9.00
H2501-04PN0000R	7.50	11.50
H2501-05PN0000R	10.00	14.00
H2501-06PN0000R	12.50	16.50
H2501-07PN0000R	15.00	19.00
H2501-08PN0000R	17.50	21.50
H2501-09PN0000R	20.00	24.00
H2501-10PN0000R	22.50	26.50
H2501-11PN0000R	25.00	29.00
H2501-12PN0000R	27.50	31.50
H2501-13PN0000R	30.00	34.00
H2501-14PN0000R	32.50	36.50
H2501-15PN0000R	35.00	39.00
H2501-16PN0000R	37.50	41.50



P.C.B LAYOUT



Circuit 1

APPD. 核准 BETTY DWG. 製圖 BETTY DATE 制表日 2007/12/26		RoHS Compliant HSM 玄茂科技股份有限公司 HSUAN MAO TECHNOLOGY CO., LTD.	PART NAME 品名 2.5mm HOUSING STRAIGHT TYPE 1XXXP BRONW COLOR P.C.B. THICKNESS:1.6mm ROHS LOW-LEAD PART NO. 料號 H2501-XXPN0000R
SCALE 比例 參考 UNIT 單位 M M PAGE 張數 1 OF 1	TOLERANCE 容許公差 .0 ±0.25 .00 ±0.15 ANG. ± SIZE. 紙張尺寸 A 4 REV. 版次 A		