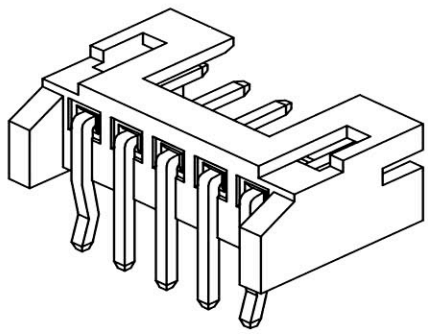


SPECIFICATIONS
 Current Rating: 3A AC,DC
 Voltage Rating: 300V AC,DC
 Temperature Range: -25°C ~ +85°C
 Contact Resistance: 20mΩ Max
 Insulation Resistance: 100MΩ Min
 Withstanding Voltage: 1000V AC/minute
 Pin Material: Brass/Tin-plated
 Material: Nylon 66,UL94V-0
 Pantone Color: 153C~154C

Ordering Information & Dimensions

PART NO.	Dimensions	
	A	B
02P	2.00	6.00
03P	4.00	8.00
04P	6.00	10.00
05P	8.00	12.00
06P	10.00	14.00
07P	12.00	16.00
08P	14.00	18.00
09P	16.00	20.00
10P	18.00	22.00
11P	20.00	24.00
12P	22.00	26.00
13P	24.00	28.00
14P	26.00	30.00
15P	28.00	32.00



RoHS Compliant		HSM 玄茂科技股份有限公司 HSUAN MAO TECHNOLOGY CO., LTD.	
APPD. 核准		TOLERANCE 零件公差 0 ± .00 ± ANG ±	PART NAME 品名 2.0mm WAFER RIGHT ANGLE TYPE 1X??P TIN PLATING BROWN COLOR ROHS LOW-LEAD
DWG. 製圖 HELEN	SCALE 比例 參考	UNIT 單位 MM	PART NO. 料號 W2104-XXPRTN00R
DATE 制表日 2009/11/12	PAGE 張數 1 OF 1	REV. 版本 A	