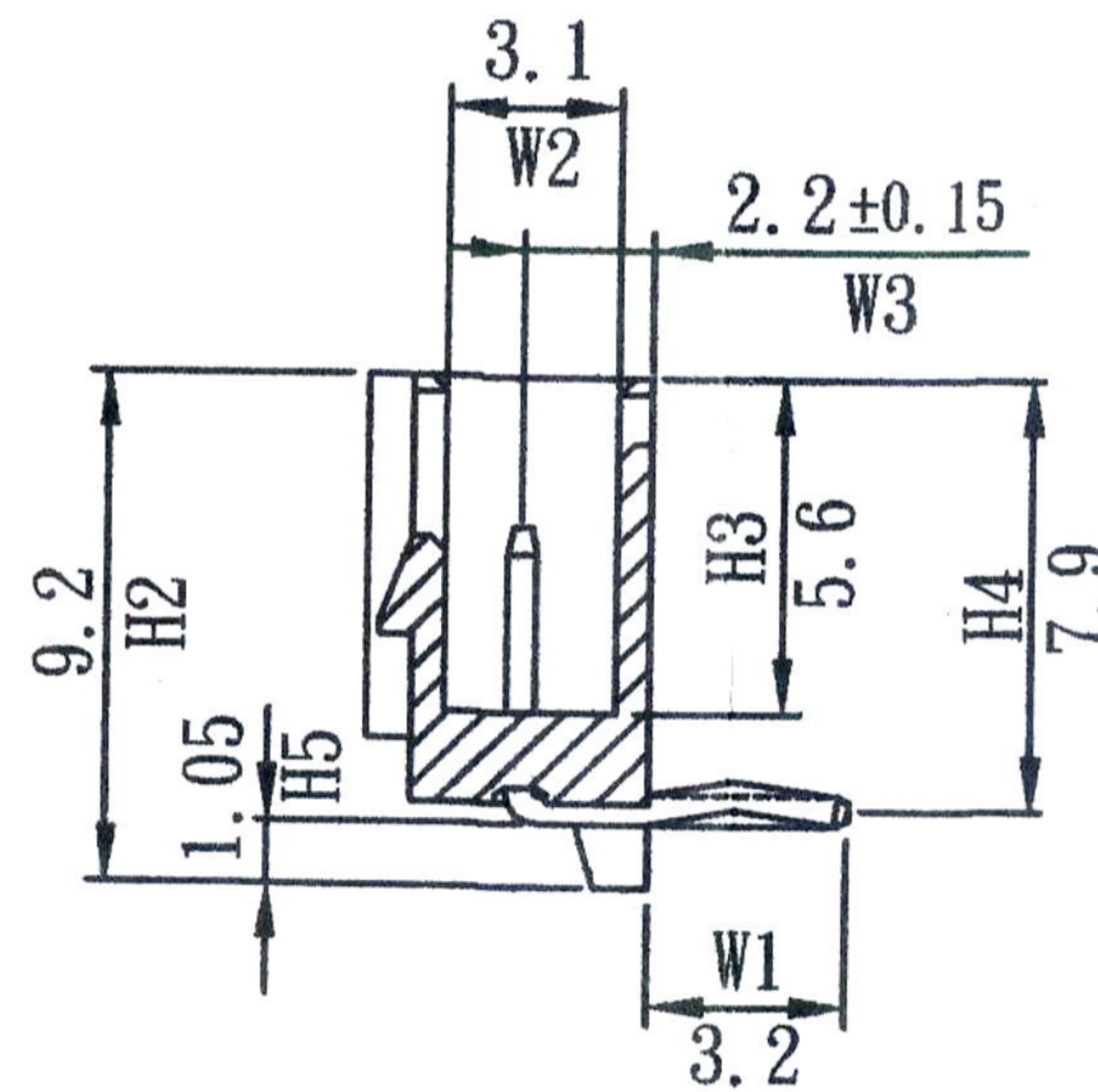
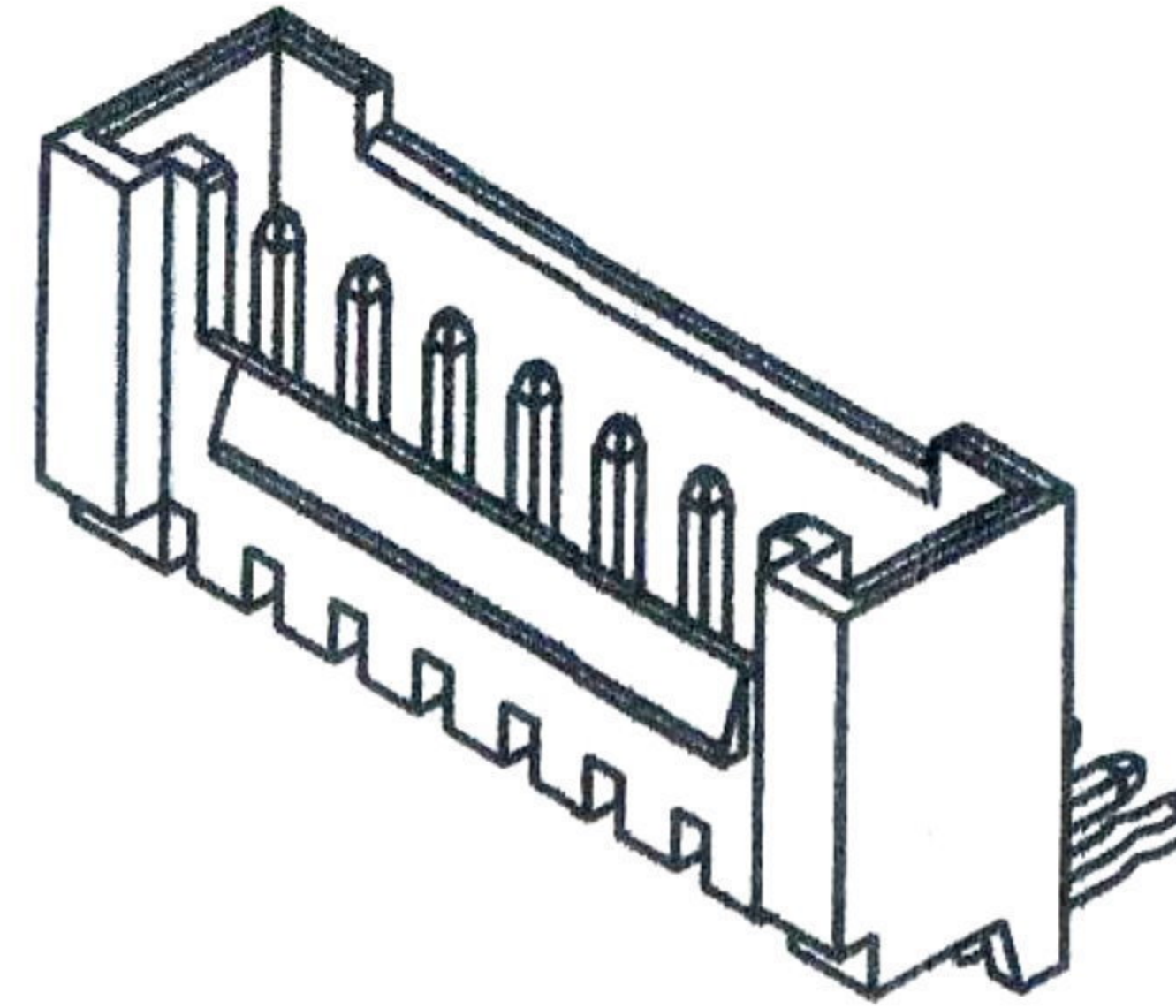
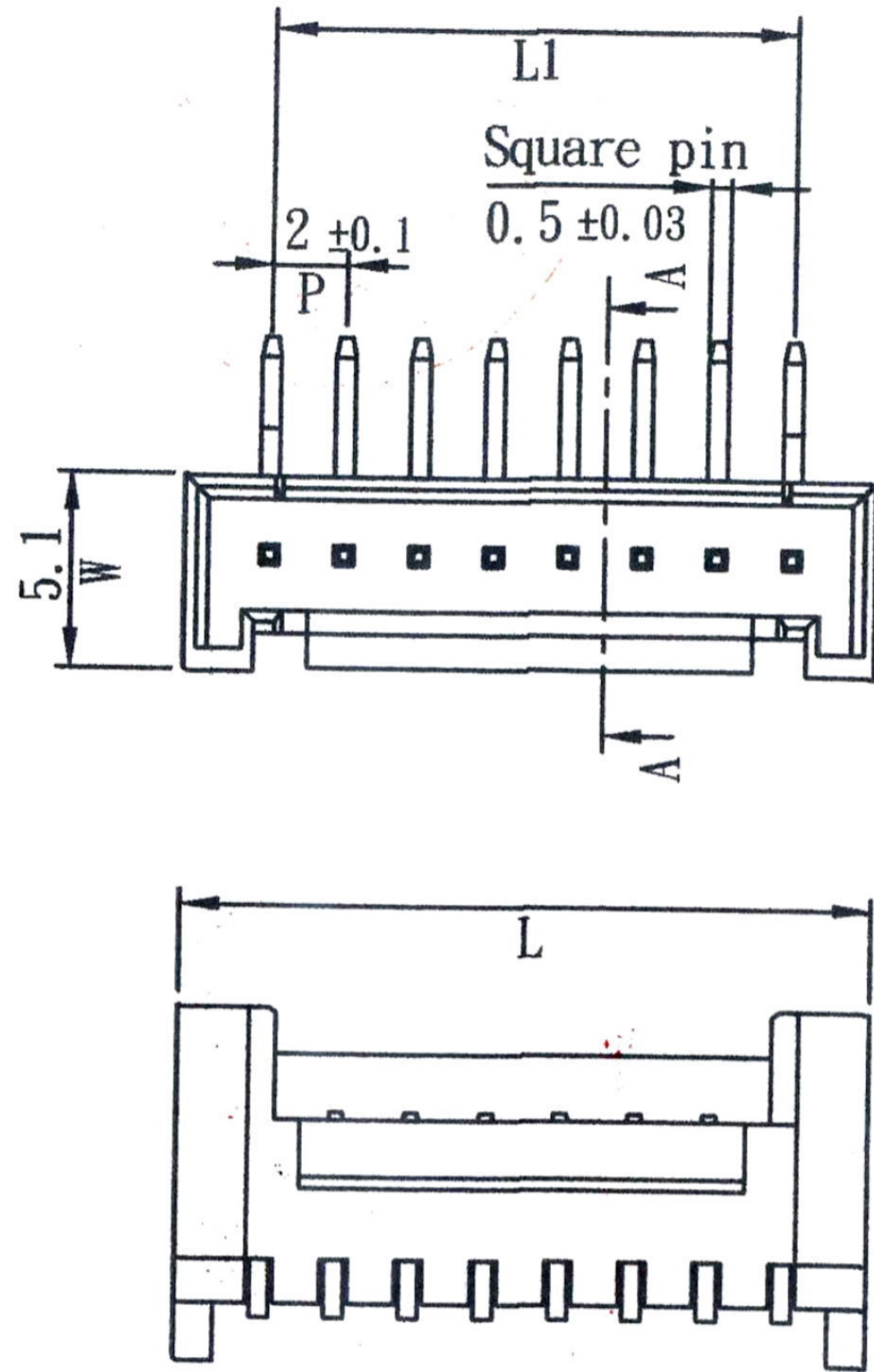


SPECIFICATIONS
 Current Rating: 3A AC,DC
 Voltage Rating: 250V AC,DC
 Temperature Range: -25°C ~ +85°C
 Contact Resistance: 30mΩ Max
 Insulation Resistance: 1000MΩ Min
 Withstanding Voltage: 650V AC/minute

PIN	Dimension		Q' ty/bag
	L1	L	
2P	2.00	5.98	1000 PCS
3P	4.00	7.98	1000 PCS
4P	6.00	9.98	1000 PCS
5P	8.00	11.98	1000 PCS
6P	10.00	13.98	1000 PCS
7P	12.00	15.98	1000 PCS
8P	14.00	17.98	1000 PCS
9P	16.00	19.98	1000 PCS
10P	18.00	21.98	1000 PCS
11P	20.00	23.98	500 PCS
12P	22.00	25.98	500 PCS
13P	24.00	27.98	500 PCS
14P	26.00	29.98	500 PCS
15P	28.00	31.98	500 PCS



A-A Section



MATERIAL : PA66+25% GF UL94 V-0
 PIN MATERIAL : BRASS
 SURFACE TREATMENT : TIN PLATED
 COLOR : WHITE

RoHS Compliant		HSM 玄茂科技股份有限公司 HSUAN MAO TECHNOLOGY CO., LTD.	
APPD. 核准 HELEN	SCALE 比例 參考	TOLERANCE 容許公差 .0 ±0.3 .00 ± ANG±	PART NAME 品名 2.0 WAFER 1XXXP RIGHT ANGLE TYPE TIN PLATING WHITE INSULATOR ROHS
DWG. 製圖 ABBY		UNIT 單位 MM	SIZE. 紙張尺寸 A4
DATE 制表日 2014/12/01	PAGE 張數 1 OF 1	REV. 版次 B	PART NO. 料號 W2111-XXPRTWOOR