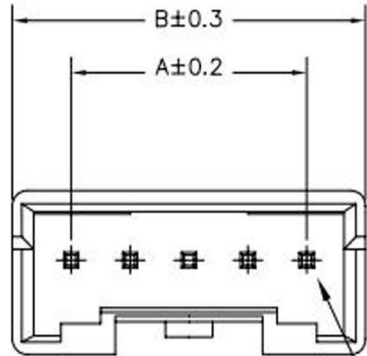
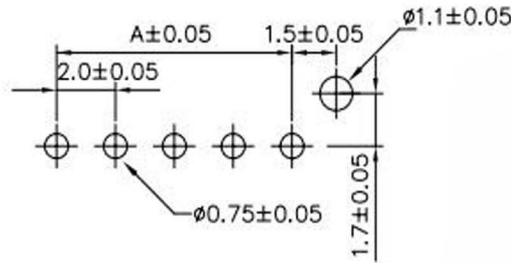


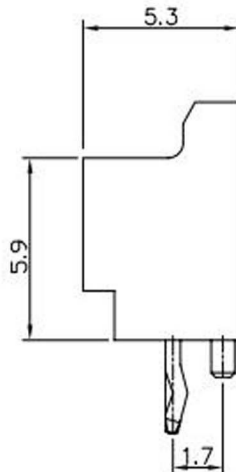
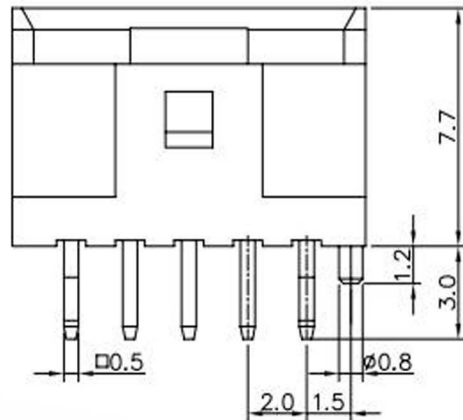
(2 to 9 circuits)



Circuit No.1



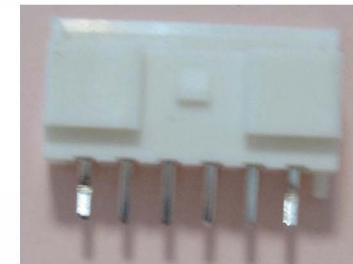
RECOMMENDED P.C.BOARD HOLE DIMM.



Specifications

Current Rating: 3A AC/ DC (Max)AWG#22  
 Voltage Rating: 250V AC/ DC  
 Temperature Range: -25°C ~ + 85°C  
 Contact Resistance: 20mΩ Max  
 Insulation Resistance: 1000MΩ Min  
 Withstand Voltage:800V AC/Minute  
 Pin Material: Brass/ Tin-plated/ Gold-plated  
 Wafer Material: Glass-filled PBT,UL94V-0,natural

Poles	Dimension mm (in.)	
	A	B
2	2.0(0.079)	6.0(0.236)
3	4.0(0.157)	8.0(0.315)
4	6.0(0.236)	10.0(0.394)
5	8.0(0.315)	12.0(0.472)
6	10.0(0.394)	14.0(0.551)
7	12.0(0.472)	16.0(0.630)
8	14.0(0.551)	18.0(0.709)
9	16.0(0.630)	20.0(0.787)



RoHS Compliant	<b>HSM</b> 玄茂科技股份有限公司 HSUAN MAO TECHNOLOGY CO., LTD.	
APPD. 核准 BETTY	 SCALE 比例 参考 UNIT 單位 M M PAGE 張數 1 OF 1	TOLERANCE 容許公差 .0 ±0.25 .00 ±0.20 ANG. ±
DWG. 製圖 BETTY		SIZE. 紙張尺寸 A 4
DATE 制表日 2009/08/21	REV. 版次 A	PART NO. 料號 W2112-XXPSTW00R