

1 2 3 4 5 6 7 8

A

B

C

D

E

F

G

H

A

B

C

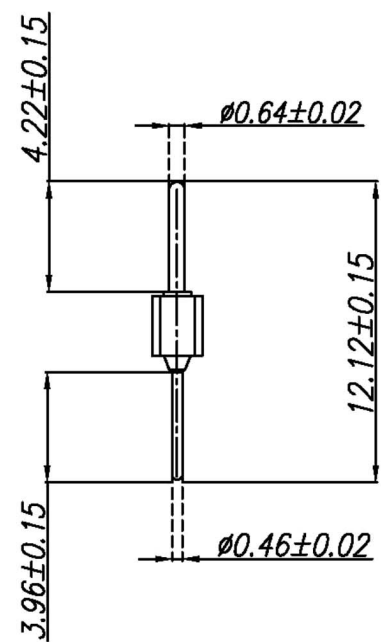
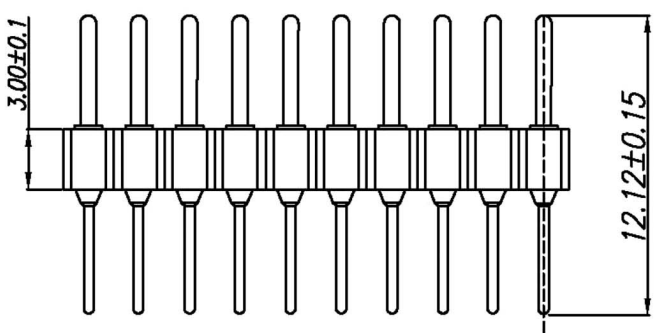
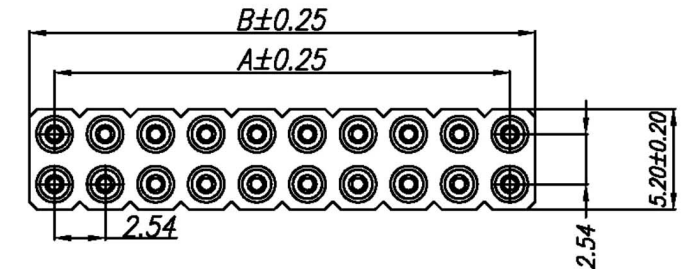
D

E

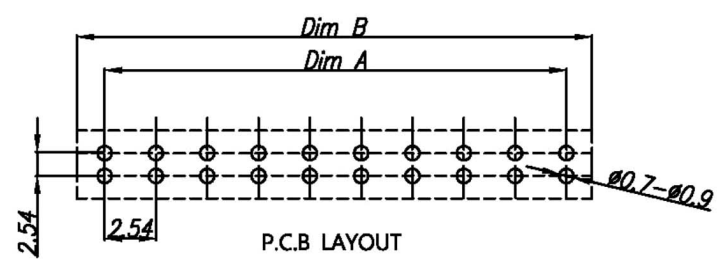
F

G

H



No of contacts	Dim A	Dim B	No of contacts	Dim A	Dim B
2x1		2.54	2x21	50.80	53.34
2x2	2.54	5.08	2x22	53.34	55.88
2x3	5.08	7.62	2x23	55.88	58.42
2x4	7.62	10.16	2x24	58.42	60.96
2x5	10.16	12.70	2x25	60.96	63.50
2x6	12.70	15.24	2x26	63.50	66.04
2x7	15.24	17.78	2x27	66.04	68.58
2x8	17.78	20.32	2x28	68.58	71.12
2x9	20.32	22.86	2x29	71.12	73.66
2x10	22.86	25.40	2x30	73.66	76.20
2x11	25.40	27.94	2x31	76.20	78.74
2x12	27.94	30.48	2x32	78.74	81.28
2x13	30.48	33.02	2x33	81.28	83.82
2x14	33.02	35.56	2x34	83.82	86.36
2x15	35.56	38.10	2x35	86.36	88.90
2x16	38.10	40.64	2x36	88.90	91.44
2x17	40.64	43.18	2x37	91.44	93.98
2x18	43.18	45.72	2x38	93.98	96.52
2x19	45.72	48.26	2x39	96.52	99.06
2x20	48.26	50.80	2x40	99.06	101.6



Technical Data

Material:

- Insulator body(housing): PPS (black / UL 94V-0)
- Pin :Brass, machined,C3602
- Plating:nickel-plated/full gold-flashed(0.4~1u")

Electrical

- Current rating: 3 Amps/contact max
- Operating :60Veff
- Insulation resistance:>1000 MΩ at V=100 V min

Mechanical

- Operating temperature: Gold platde:-55°C to+125°C
- Soldering temperature: + 260°C ,10s max

RoHS Compliant

HSM 玄茂科技股份有限公司
HSUAN MAO TECHNOLOGY CO., LTD.

APPD. 核准 HELEN
 DWG. 製圖 ABBY
 DATE 制表日 2016/08/05

SCALE 比例 參考
 UNIT 單位 M M
 PAGE 張數 1 OF 1

TOLERANCE 容許公差
 .00 ±
 ANG. ±
 SIZE. 紙張尺寸 A 4
 REV. 版次 B

PART NAME 品名
 2.54mm SIP SOCKET MACHINED PIN
 STRAIGHT PIN 2XXXP (DOUBLE ROW)
 GOLD PLATING ROHS

PART NO.
 料號 C0113-XXDNGB00R

1 2 3 4 5 6 7 8