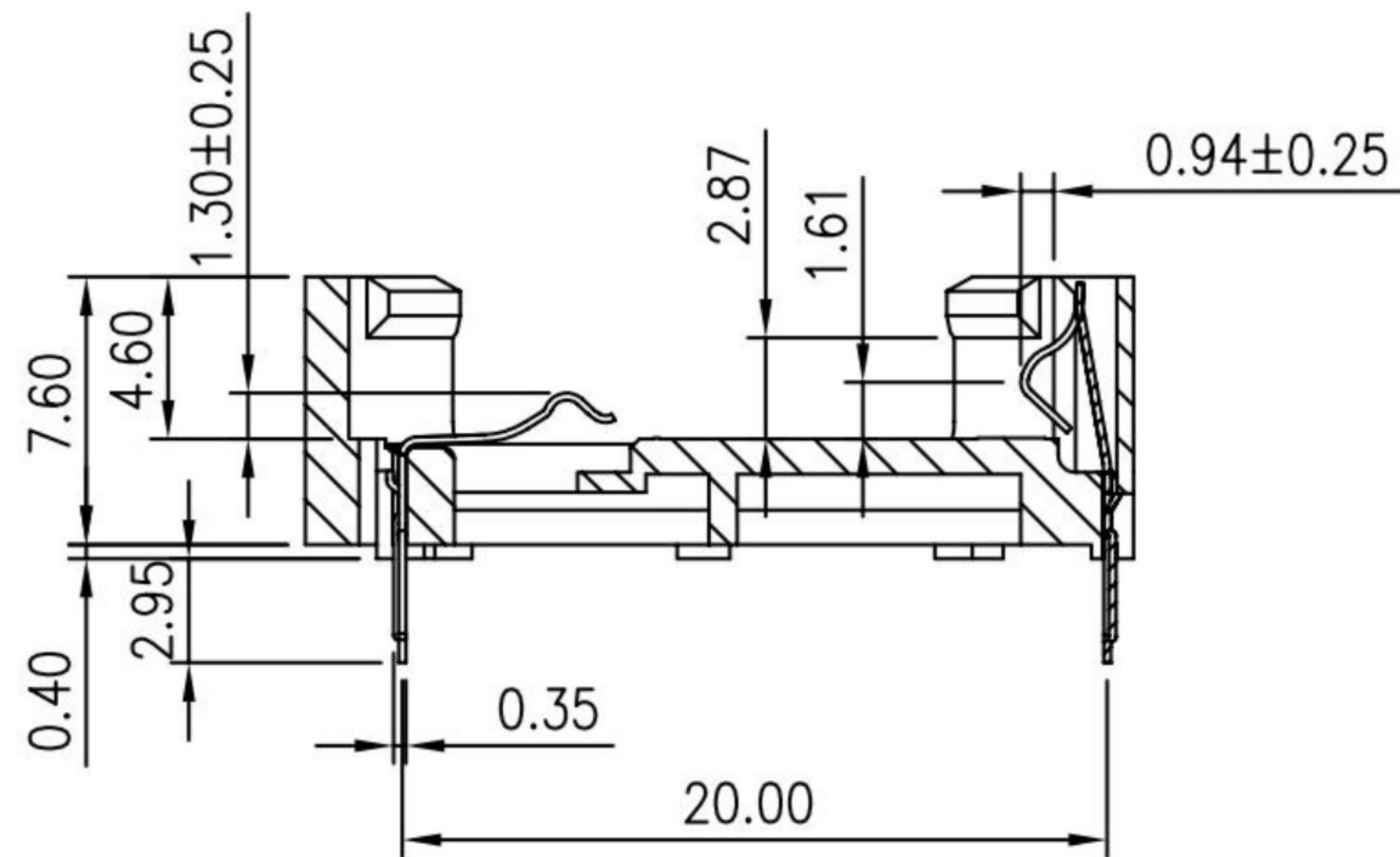
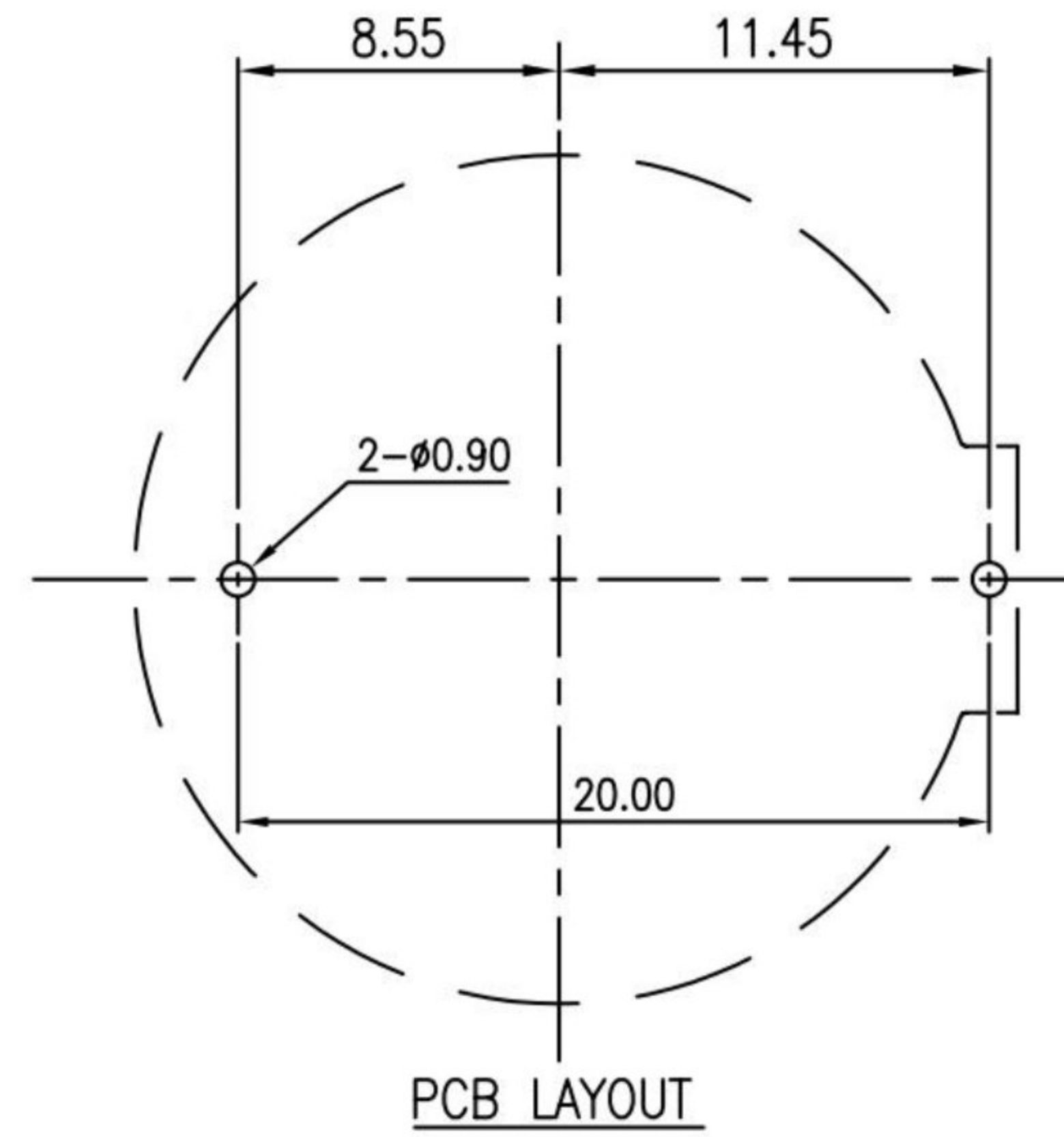


NOTES:
 MATERIAL:
 BODY: NYLON66/HF W/O GLASS FIBER ,BLACK
 CONTACT: PHOSPHOR BRONZE.
 FINISH:
 CONTACT: (1) SN ONLY(MATTE)100u" PLATED OVER
 ▲ NI 50u" UNDER-PLATING.
 (2) GOLD PLATED OVER 50u"Min.
 NI UNDER-PLATING.

SPECIFICATION:
 APPLICATION: FOR 3V LITHIUM BATTERY(CR2032)
 CONTACT RESISTANCE: 30 mΩ MAX.
 INSULATOR RESISTANCE: 5000 MΩ MIN.
 OPERATION TEMPERATURE: -55°C TO +105°C.
 DURABILITY: 50 CYCLES.



RoHS Compliant		HSM 玄茂科技股份有限公司 HSUAN MAO TECHNOLOGY CO., LTD.	
APPD. 核准 Betty	 SCALE 比例 參考 UNIT 單位 MM PAGE 張數 1 OF 1	TOLERANCE .X ±0.38 .XX ±0.25 .XXX ±0.15 X ±2" .X ±1"	PART NAME 品名 BATTERY HOLDERS BH7 TYPE BLACK INSULATOR ROHS
DWG. 製圖 Betty		SIZE. 紙張尺寸 A4	PART NO. 料號 C0170-02STB000R
DATE 制表日 2012/09/03		REV. 版次 C	