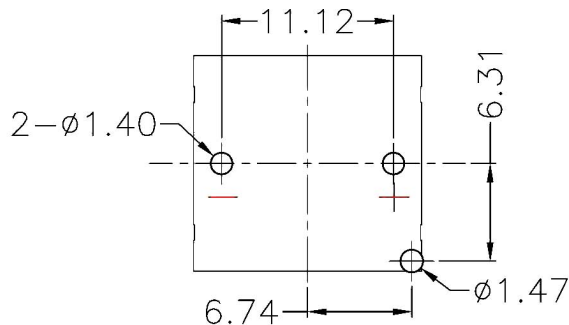
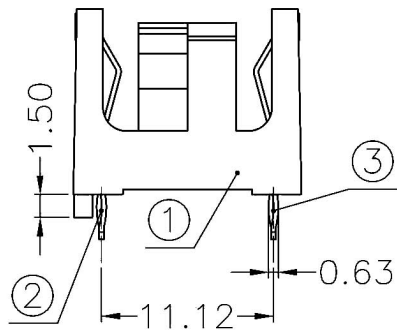
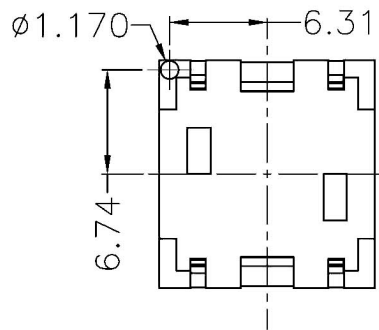
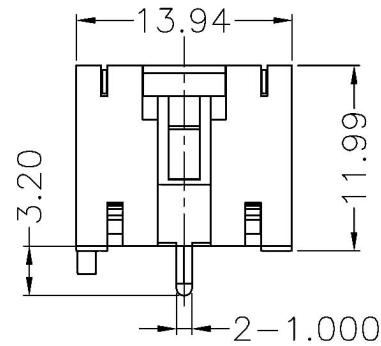
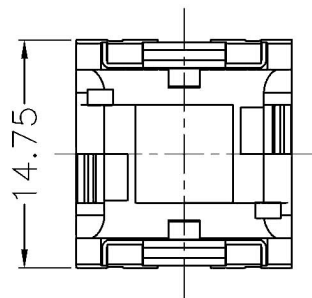


3	TERMINAL(-)	1	PHOSPHOR BRONZE, T=0.30mm	Gold Plating and Ni Under-Plating
2	TERMINAL(+)	1	PHOSPHOR BRONZE, T=0.30mm	Gold Plating and Ni Under-Plating
1	HOUSING	1	PPA	BLACK
NO.	PART NAME	Q'TY	MATERIAL	PLATING & COLOR



PCB Layout Diagram
Top View

1.MATERIAL:

- a.HOUSING:PPA
- b.CONTACT:PHOSPHOR BRONZE
(SURFACE PLATING: Au1u")

SEE ORDERING INFORMATION

2.ELECTRIC:

- a.CONTACT RESISTANCE: 30 MILLIOHMS MAX
- b.INSULATION RESISTANCE: 1000 MEGA OHMS MIN
- c.DIELECTNIC VOLTAGE: 500V AC ONE SEC LEVEL
- d.OPERATING TEMPERATURE: -25°C~ +85°C

RoHS Compliant		HSM 玄茂科技股份有限公司 HSUAN MAO TECHNOLOGY CO., LTD.	
APPD. 核准		TOLERANCE DECIMALS: X ±0.30 X ±1 X.X ±0.25 X.X ±0.5 X.XX ±0.20 X.XXX ±0.10	PART NAME 品名 BATTERY HOLDERS FOR LR44*2 DIP TYPE GOLD FLASH PLATED BLACK COLOR MATERIAL:PPA ROHS
DWG. 製圖	Betty	SCALE 比例 參考	PART NO. 料號 C0173-02PGGB00R
DATE 制表日 2018/06/13	UNIT 單位 MM	SIZE 紙張尺寸 A4	REV. 版次 A
	PAGE 張數 1 OF 1		