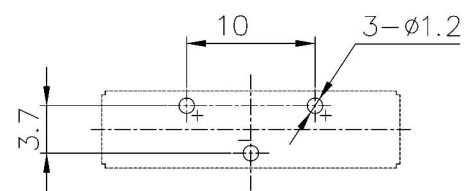
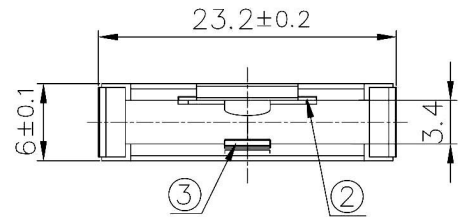
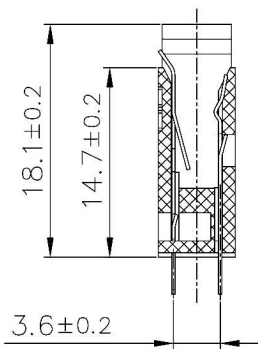
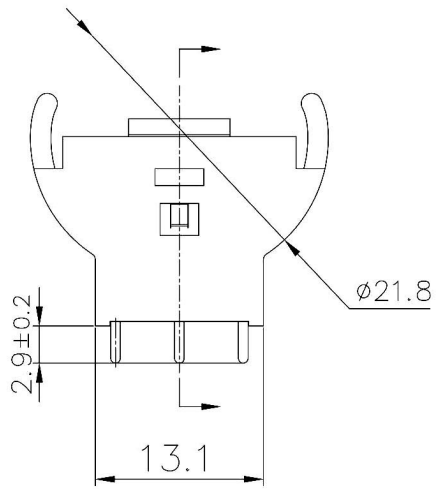


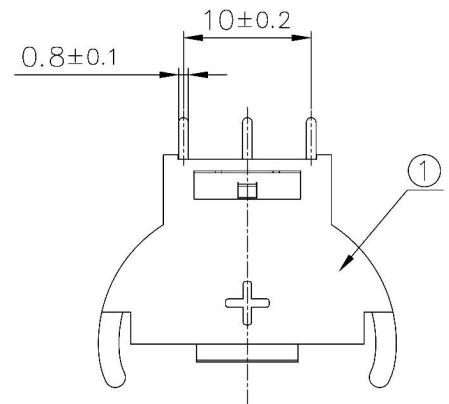
1 2 3 4 5 6 7 8

A
B
C
D
E
F
G
H

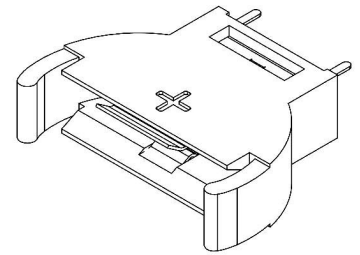
A
B
C
D
E
F
G
H



PCB Holes Diagram
Top View



NOTE:
 1.MATERIAL:
 a.HOUSING:THERMOPLASTIC GLASS FIBRE UL94V-0
 b.CONTACT:PHOSPHOR BRONZE
 (SURFACE PLATING: Ni 100u")
 SEE ORDERING INFORMATION
 2.ELECTRIC:
 a.CONTACT RESISTANCE: 30 MILLIOHMS MAX
 b.INSULATION RESISTANCE: 1000 MEGA OHMS MIN
 c.DIELECTNIC VOLTAGE: 750V AC ONE SEC LEVEL
 d.OPERATING TEMPERATURE: -55°C~ +85°C



3	TERMINAL-2	PHOSPHOR BRONZE	Ni-Plated
2	TERMINAL-1	PHOSPHOR BRONZE	Ni-Plated
1	HOUSING	PA66	BLACK
NO.	PART NAME	MATERIAL	COLOR/FINISHED

RoHS Compliant	玄茂科技股份有限公司 HSUAN MAO TECHNOLOGY CO., LTD.	
	APPD. 核准 SCALE 比例 UNIT 單位 DATE 制表日 2018/08/22	TOLERANCE LINEAR ANGLE * ±0.1 ** ±0.38 *** ±0.25 **** ±0.10 UNIT 單位 M M PAGE 張數 1 OF 1

1 2 3 4 5 6 7 8