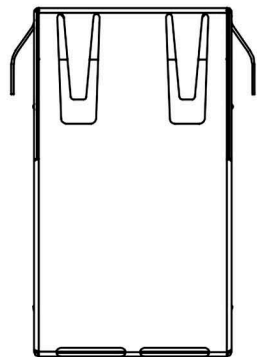
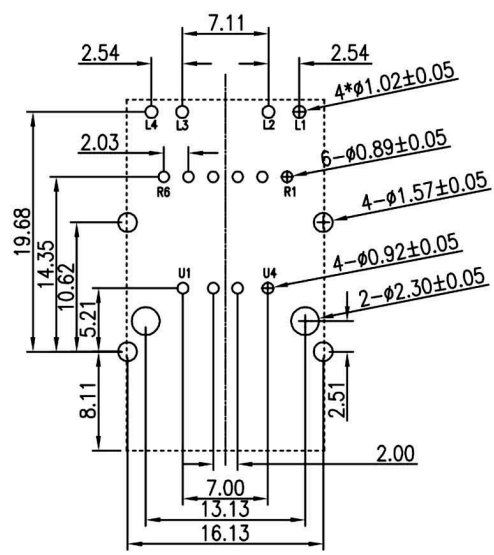


1.MATERIALS AND FINISH:

- 1.1 HOUSING: HIGHT THERMOPLASTIC. UL94V-0.PBT BLACK.
- 1.2 SHELL:STAINLESS,T=0.20mm,SOLDER TAIL AREA PLATED TIN.
- 1.3 RJ45 OUTPUT TERMINAL: COPPER ALLOY, T=0.30mm, GOLD FLASH PLATED IN CONTACT AREA, Tin 100u" Min PLATED IN SOLDER TAIL.
- 1.4 RJ45 INPUT TERMINAL: COPPER ALLOY,T=0.30mm,PLATED TIN OVER ALL
- 1.5 USB TERMINAL:COPPER ALLOY,T=0.25mm, GOLD FLASH PLATED IN CONTACT AREA. Tin 100u" Min PLATED IN SOLDER TAIL.

2.ELECTRICAL CHARACTERISTICS:

- 2.1 RJ45 INSULATION RESISTANCE:500 MEGOHMS MINMUM
- 2.2 RJ45 DIELECTRIC WITHSTANDING VOLTAGE:1000VAC MINMUM
- 2.3 USB INSULATION RESISTANCE:1000 MEGOHMS MINMUM
- 2.4 USB CONTACT RESISTANCE:30MILLIOHMS MXA
- 2.5 USB DIELECTRIC WITHSTANDING VOLTAGE:500VAC MINMUM
- 2.6 USB CONTACT CURRENT RATING:1.5A MAX



RECOMMENDED P.C.B LAYOUT
COMPONENT SIDE VIEW(TOLERANCE: ±0.05mm)

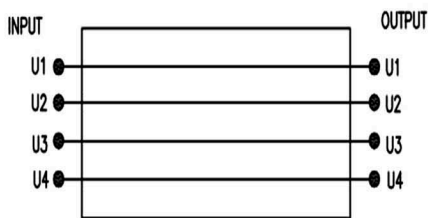
<p>RoHS Compliant</p>		<p>HSM 玄茂科技股份有限公司 HSUAN MAO TECHNOLOGY CO., LTD.</p>	
<p>APPD. 核准</p>		<p>TOLERANCE 容許公差</p> <p>.0 ± 0.30 .00 ± 0.20 ANG. ± 3°</p>	<p>PART NAME 品名 RJ45 TRANSFORMER MODULAR JACK+USB 2.0 A TYPE FEMALE WITH SHIELDED WITH LED (LEFT:GREEN & ORANGE,RIGHT:YELLOW) SELECTIVE GOLD PLATING BLACK COLOR ROHS</p>
<p>DWG. 製圖</p> <p>Betty</p>	<p>SCALE 比例 參考</p>	<p>UNIT 單位 M M</p>	<p>PART NO. 料號 C0239-AYSSB400R</p>
<p>DATE 制表日 2023/09/05</p>	<p>PAGE 張數 1 OF 2</p>	<p>REV. 版次 B</p>	

ELECTRICAL SPECIFICATIONS@25°C UNLESS OTHERWISE NOTED:

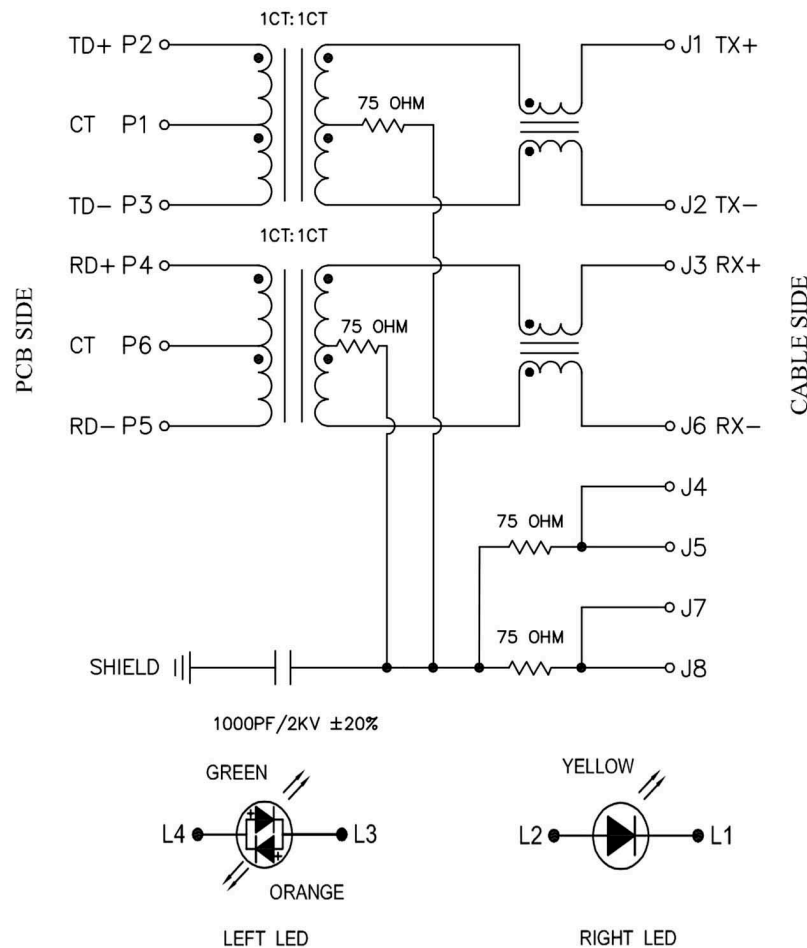
1. Turn Ratio(+/-5%): 1CT:1CT
2. Inductance OCL: 350uH Min @100KHz/0.1V/ 8mA DC Bias
3. Insertion Loss:
 - 1.0dB Max 1-100MHz
4. Return Loss:
 - 20dB Min 1-30MHz
 - 16dB Min 30-60MHz
 - 12dB Min 60-80MHz
5. Cross talk:
 - 40dB Min 1-30MHz
 - 35dB Min 30-60MHz
 - 30dB Min 60-100MHz
6. Common Mode Rejection:
 - 30dB Min 1-50MHz
 - 20dB Min 50-150MHz
7. Hipot Test:
 - 1500Vrms 1mA Max
8. Operating Temperature Range: 0°C ~ +70°C
9. Storage Temperature Range: -40°C ~ +80°C
10. LED Specification:

Emitting Color	λd (nm)typ	Vf@If=20mA	Ir@Vr =5V
GREEN	565nm	1.8-2.4V	10uA Max
YELLOW	585nm	1.8-2.4V	10uA Max
ORANGE	602nm	1.8-2.4V	10uA Max

USB SCHEMATIC



SCHEMATICS



RoHS Compliant		HSM 玄茂科技股份有限公司 HSUAN MAO TECHNOLOGY CO., LTD.	
APPD. 核准 DWG. 製圖 DATE 制表日 2023/09/05	Betty	TOLERANCE 容許公差 SCALE 比例 參考 UNIT 單位 M M PAGE 張數 2 OF 2	PART NAME 品名 RJ45 TRANSFORMER MODULAR JACK+USB 2.0 A TYPE FEMALE WITH SHIELDED WITH LED (LEFT:GREEN & ORANGE,RIGHT:YELLOW) SELECTIVE GOLD PLATING BLACK COLOR ROHS PART NO. 料號 C0239-AYSSB400R