

NOTES:

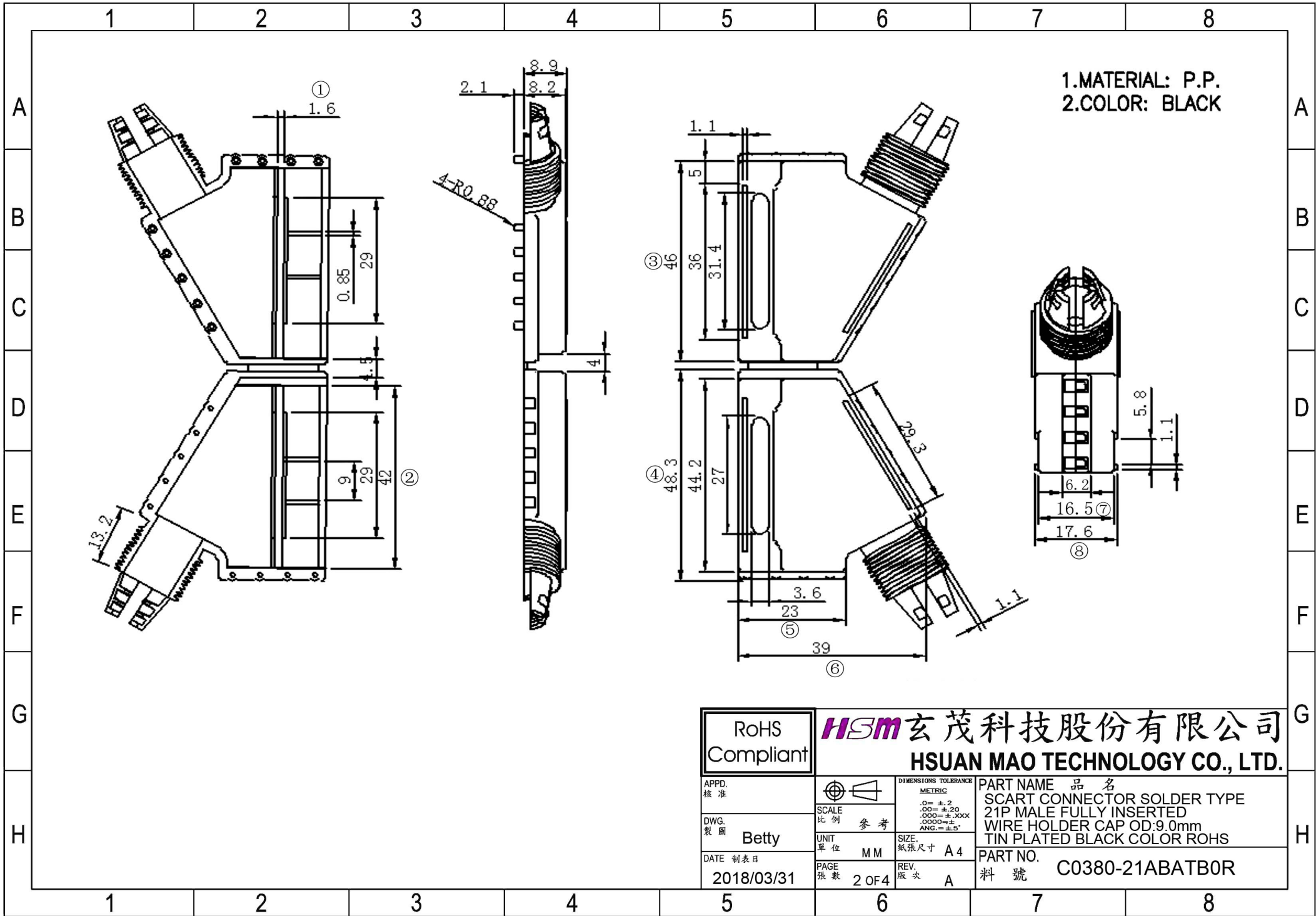
1.MATERIALS

- 1.1 Insulator: PC
- 1.2 Contact:Brass 0.3t. Tin Plated

2.SPECIFICATIONS

- 2.1 Current Rating:3.0 Amp
- 2.2 Dielectric Strength: 1000V AC for one minute
- 2.3 Insulator Resistan1000M ohms Min
- 2.4 Contact Resistance: 25m ohms Max
- 2.5 Operation Temperature: -55°C to +105°C

RoHS Compliant		HSM 玄茂科技股份有限公司 HSUAN MAO TECHNOLOGY CO., LTD.	
APPD. 核准	SCALE 比例 參考	DIMENSIONS TOLERANCE METRIC .0= ±.2 .00= ±.20 .000= ±.XXX .0000= ±.0000 ANG.= ±5°	PART NAME 品名 SCART CONNECTOR SOLDER TYPE 21P MALE FULLY INSERTED WIRE HOLDER CAP OD:9.0mm TIN PLATED BLACK COLOR ROHS
DWG. 製圖 Betty			
DATE 制表日 2018/03/31	PAGE 張數 1 OF 4	REV. 版次 A	PART NO. 料號 C0380-21ABATB0R



1.MATERIAL: P.P.  
2.COLOR: BLACK

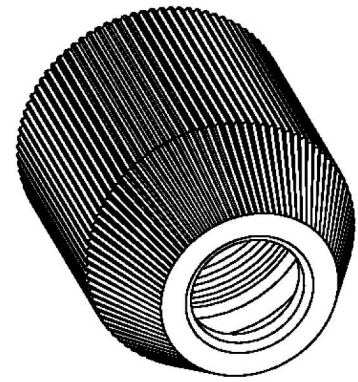
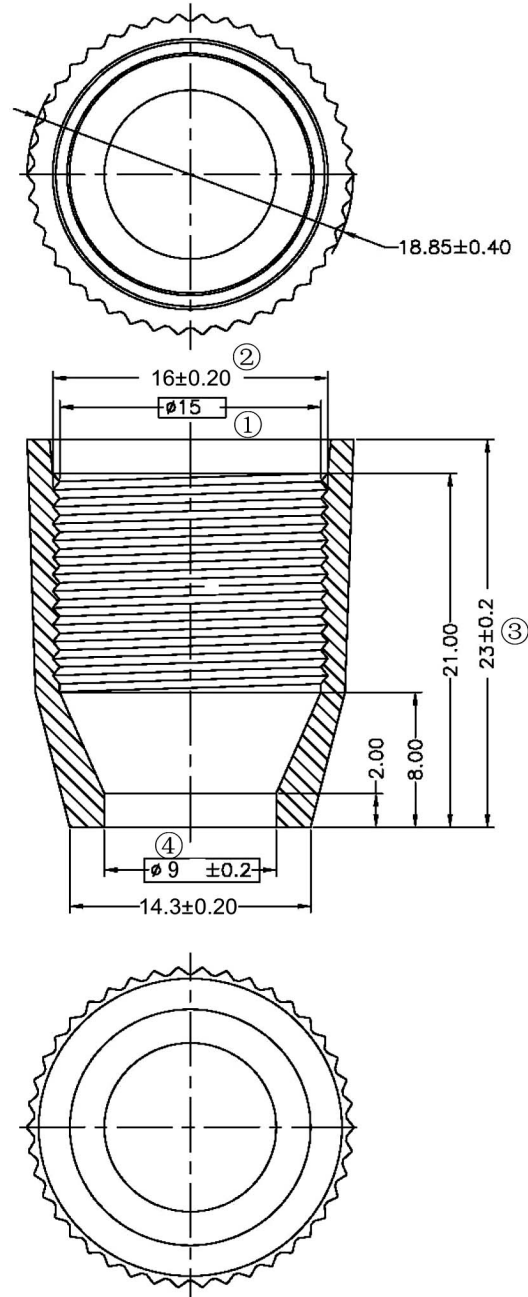
RoHS Compliant		HSM 玄茂科技股份有限公司 HSUAN MAO TECHNOLOGY CO., LTD.	
APPD. 核准	SCALE 比例 参考	DIMENSIONS TOLERANCE METRIC .0 = ±.2 .00 = ±.20 .000 = ±.XXX .0000 = ±.0000 ANG. = ±5°	PART NAME 品名 SCART CONNECTOR SOLDER TYPE 21P MALE FULLY INSERTED WIRE HOLDER CAP OD:9.0mm TIN PLATED BLACK COLOR ROHS
DWG. 製圖 Betty			
DATE 制表日 2018/03/31	PAGE 張數 2 OF 4	REV. 版次 A	PART NO. 料號 C0380-21ABATB0R

1 2 3 4 5 6 7 8

A  
B  
C  
D  
E  
F  
G  
H

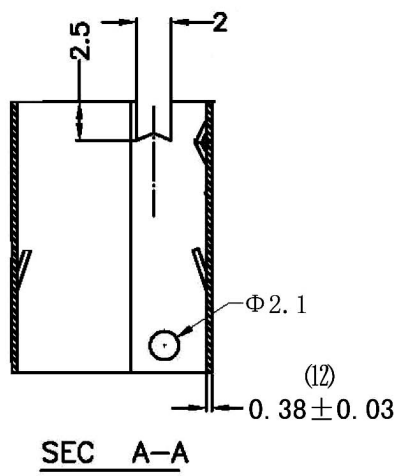
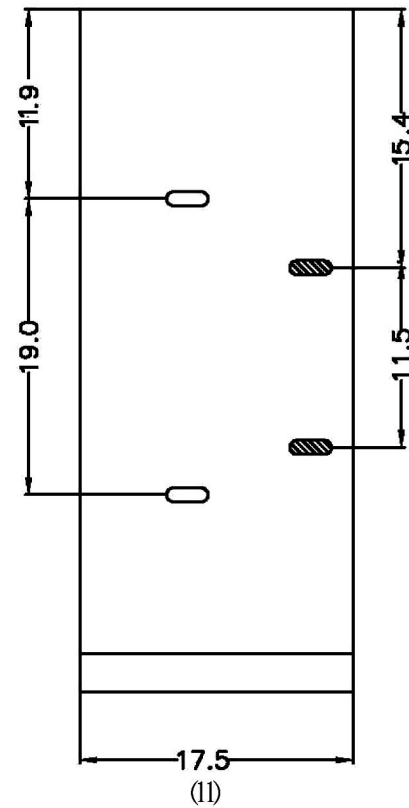
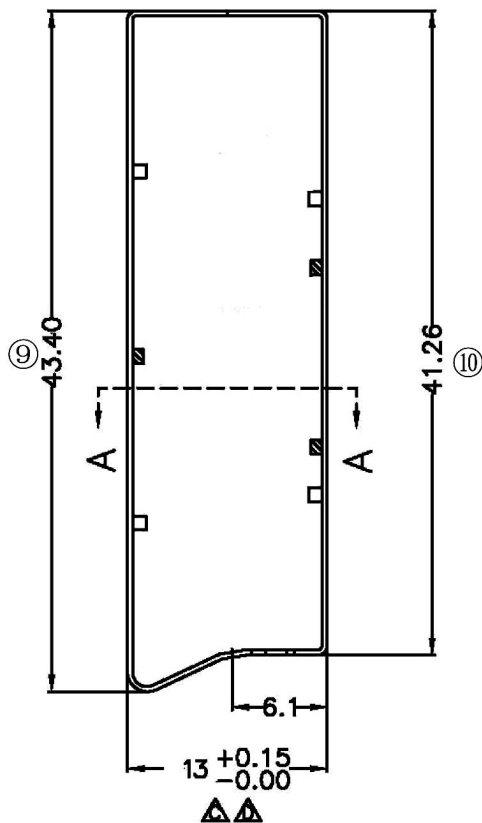
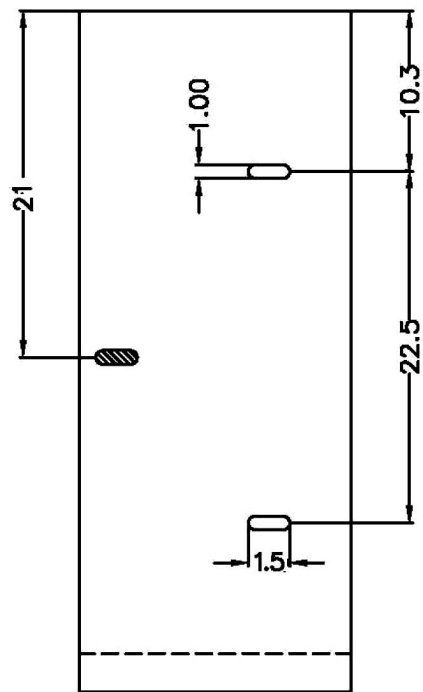
A  
B  
C  
D  
E  
F  
G  
H

NOTES:  
1. MATERIAL: P.P.



RoHS Compliant		<b>HSM</b> 玄茂科技股份有限公司 HSUAN MAO TECHNOLOGY CO., LTD.	
APPD. 核准	SCALE 比例 参考	DIMENSIONS TOLERANCE METRIC .00 = ±.2 .000 = ±.000 .0000 = ±.0000 ANG. = ±5°	PART NAME 品名 SCART CONNECTOR SOLDER TYPE 21P MALE FULLY INSERTED WIRE HOLDER CAP OD:9.0mm TIN PLATED BLACK COLOR ROHS
DWG. 製圖			
DATE 制表日	PAGE 張數	REV. 版次	PART NO. 料號
2018/03/31	3 OF 4	A	C0380-21ABATB0R

1 2 3 4 5 6 7 8



NOTES

1.MATERIAL:STAINLESS 430#

RoHS Compliant		HSM 玄茂科技股份有限公司 HSUAN MAO TECHNOLOGY CO., LTD.	
APPD. 核准		DIMENSIONS TOLERANCE METRIC	PART NAME 品名
DWG. 製圖	Betty	SCALE 比例 參考	SCART CONNECTOR SOLDER TYPE
DATE 制表日	2018/03/31	UNIT 單位 M M	21P MALE FULLY INSERTED
		PAGE 張數 4 OF 4	WIRE HOLDER CAP OD:9.0mm
		REV. 版次 A	TIN PLATED BLACK COLOR ROHS
			PART NO. 料號 C0380-21ABATB0R