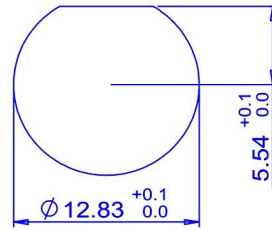
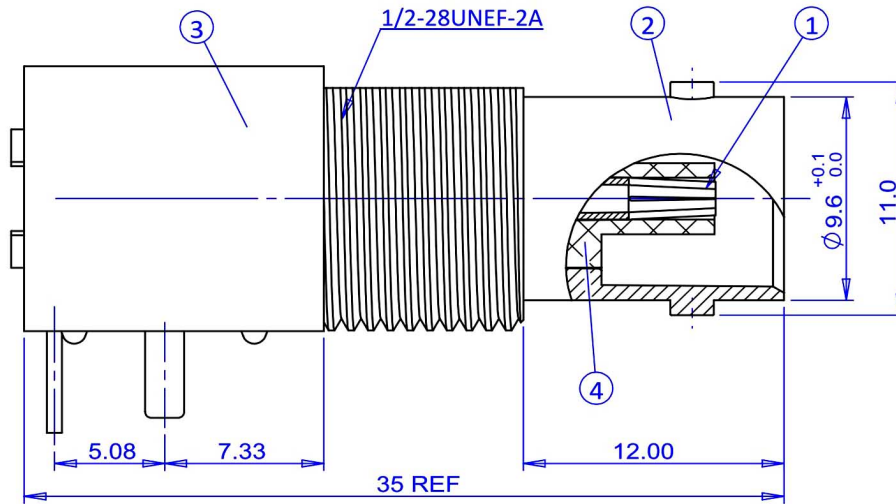
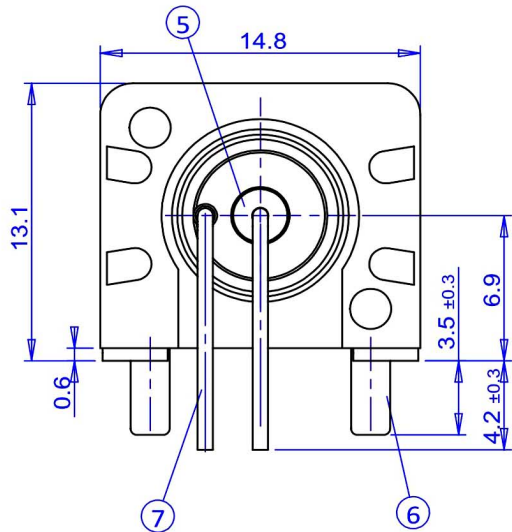


RECOMMEND PC BOARD LAYOUT
WITHOUT MOUNTING POSTS



RECOMMENDED MOUNTING HOLE
MAXIMUM PANEL THICKNESS: 5.5mm



MATERIAL & FINISH

- 1. CENTER CONTACT : PHOSPHOR BRONZE, GOLD PLATING
- 2. BODY : ZINC ALLOY, NICKEL PLATING
- 3. HOUSING : PBT (94 V-0), BLACK
- 4&5. INSULATOR : PE-606
- 6. MOUNTING POST : BRASS, TIN PLATING
- 7. SOLDER TALL: COPPER WIRE, TIN PLATING

RoHS Compliant		HSM 玄茂科技股份有限公司 HSUAN MAO TECHNOLOGY CO., LTD.	
APPD. 核准		UNLESS OTHERWISE SPECIFIED: DIMENSIONS ARE IN mm TOLERANCES ARE: .XX ± 0.5 .XXX ± 0.3 XXX ± 0.2 ANGLES ± 3 DEG	PART NAME 品名 BNC CONNECTOR RIGHT ANGLE TYPE WITHOUT FILTER 50ohms BODY HEIGHT: 13.16mm BLACK PLASTIC COVER ROHS
DWG. 製圖	Betty	SCALE 比例 參考	PART NO.
DATE 製表日	2018/02/01	UNIT 單位 M M	C0401-RNAAB000R
		PAGE 張數 1 OF 1	料號
		REV. 版次 B	