

1 2 3 4 5 6 7 8

A

B

C

D

E

F

G

H

A

B

C

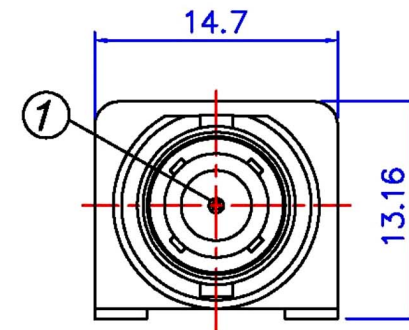
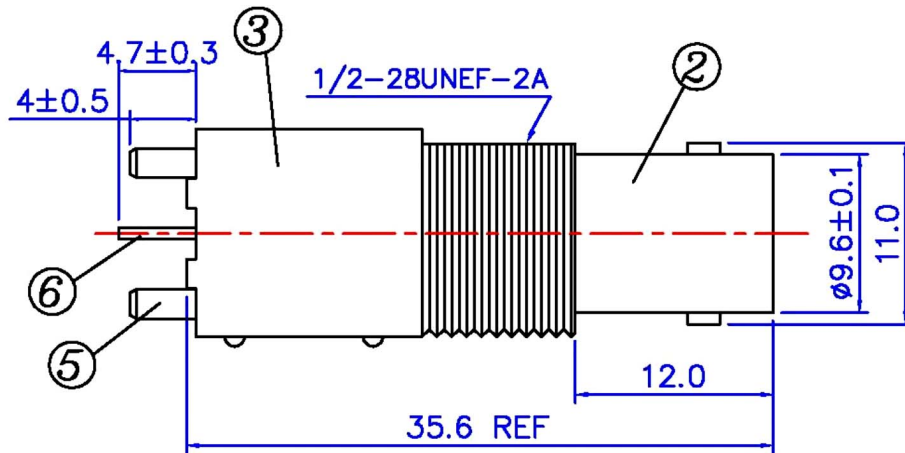
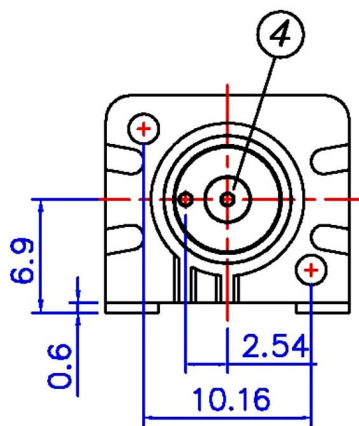
D

E

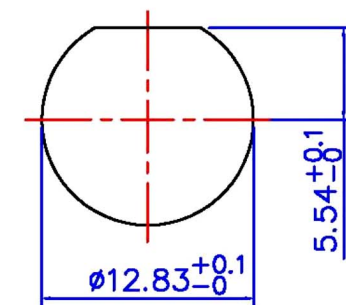
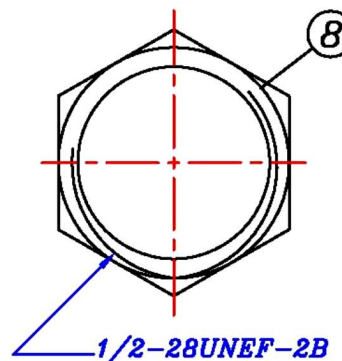
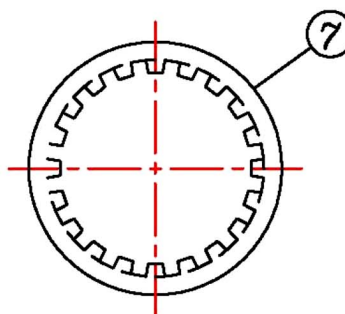
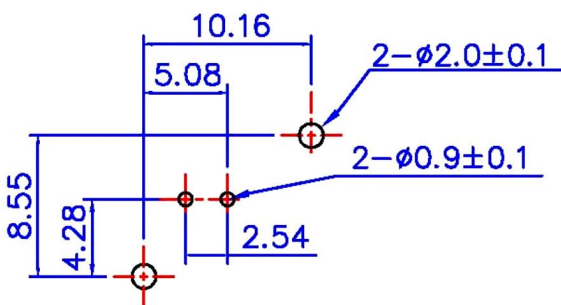
F

G

H



OPTION:ACCESSORIES-WASHR & NUT



RECOMMENDED PC BOARD LAYOUT WITHOUT MOUNTING POSTS

LOCK WASHER

CLAMP NUT

RECOMMENDED MOUNTING HOLE MAXIMUM PANEL THICKNESS:5.5MM

P/N:C0401-SNAAW000R=>Without Accessories
P/N:C0401-SNAAW001R=>With Accessories

MATERIAL & FINISH

- ① CENTER CONTACT : PHOSPHOR BRONZE, GOLD PLATING
- ② BODY : ZINC ALLOY, NICKEL PLATING
- ③ HOUSING : PBT (94 V-0), WHITE
- ④ INSULATOR : PE-606
- ⑤ MOUNTING POST : BRASS, TIN PLATING
- ⑥ SOLDER TAIL : COPPER WIRE, TIN PLATING
- ⑦ WASHER : STEEL, NICKEL PLATING
- ⑧ NUT : BRASS, NICKEL PLATING

RoHS Compliant

HSM 玄茂科技股份有限公司
HSUAN MAO TECHNOLOGY CO., LTD.

APPD. 核准	HELEN
DWG. 製圖	ABBY
DATE 制表日	2012/01/17

SCALE 比例	參考
UNIT 單位	MM
PAGE 張數	1 OF 1

TOLERANCE 容許公差	X ± 0.5 XX ± 0.3 XXX ± 0.2 ANGLES ± 3 DEG
SIZE 紙張尺寸	A 4
REV. 版次	A
PART NAME 品名	BNC CONNECTOR STRAIGHT TYPE W/O FILTER 50ohms BODY HEIGHT:13.16mm WHITE PLASTIC BODY ROHS
PART NO. 料號	C0401-SNAAW00XR

1 2 3 4 5 6 7 8