

● MATERIALS: (RoHS Compliant)

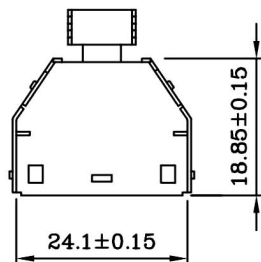
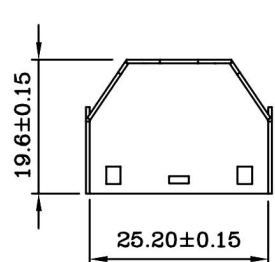
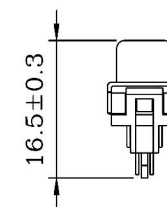
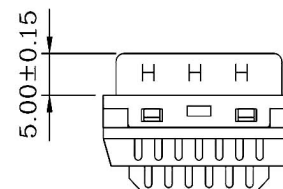
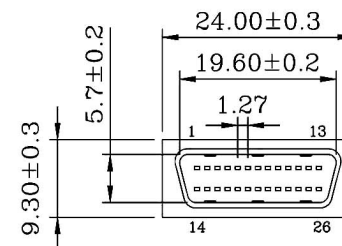
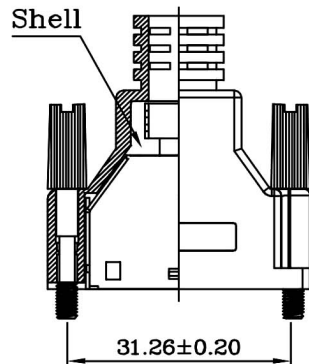
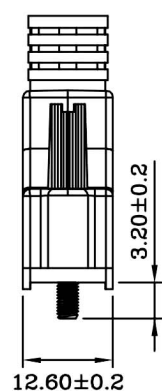
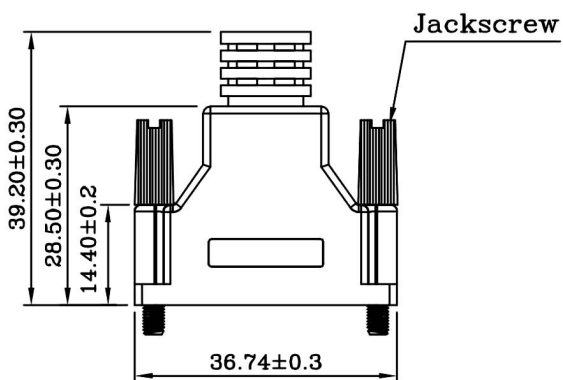
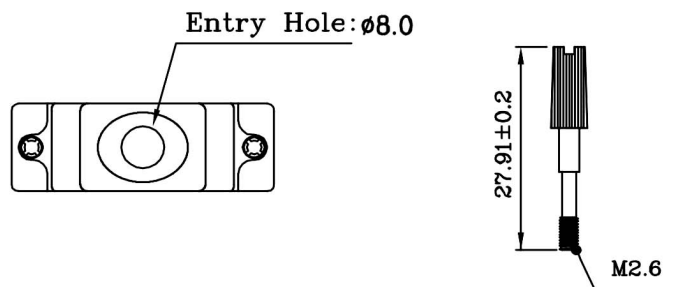
Hood: Plastic Thermoplastic ABS UL 94V-0
 Jackscrews: Steel Nickel Plated Over Copper
 Jackscrews Hood: PVC
 Inner Shell: Steel Nickel Plated Over Copper

● MATERIALS: (RoHS Compliant)

Housing: Plastic Thermoplastic
 P.B.T UL94V-0 Black
 Contacts: Phosphor Bronze Gold
 Selective Plated
 Front Shell: Steel Nickel Plated
 Over Copper

● ELECTRICAL CHARACTERISTICS:

Contact Current Rating: 0.5 Amp
 Dielectric Withstanding Voltage: 500V AC
 Insulation Resistance: >500MΩ/Min
 Contact Resistance: 35mΩ/Max
 Operation Temperature: -55°C ~ +85°C



RoHS Compliant		HSM 玄茂科技股份有限公司 HSUAN MAO TECHNOLOGY CO., LTD.	
APPD. 核准	SCALE 比例	TOLERANCE 容許公差	PART NAME 品名
DWG. 製圖	UNIT 單位	SCALE 比例	1.27mm SCSI II D-SUB SOLDER CONNECTOR 26P MALE
DATE 制表日	PAGE 張數	UNIT 單位	JACKSCREWS M2.6 *2PCS PLASTIC HOOD
2018/03/09	1 OF 1	MM	BLACK INSULATOR ENTRY HOLE SIZE: ø8.0mm
Betty		ANG. ±	SELECTIVE GOLD 5U" PLATING HP D-SUB 26P MALE
		SIZE: 紙張尺寸	JACKSCREW ASSEMBLY ROHS
		REV. 版次	PART NO.
		A	料號 C0504-26MECEB0R