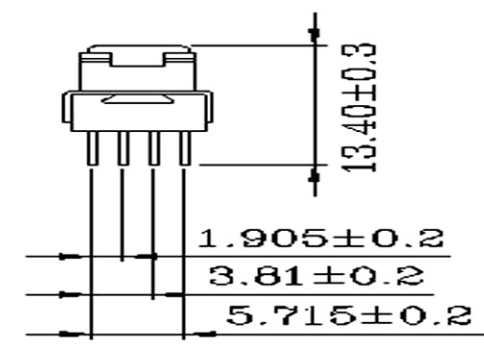
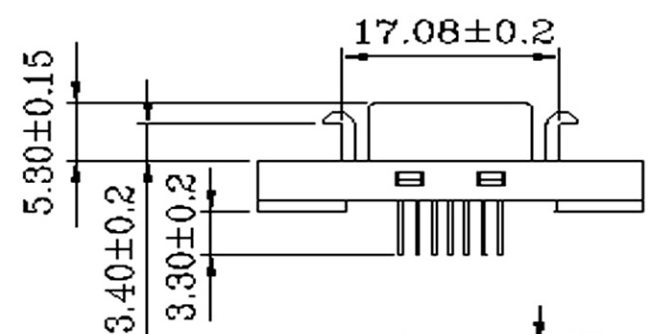
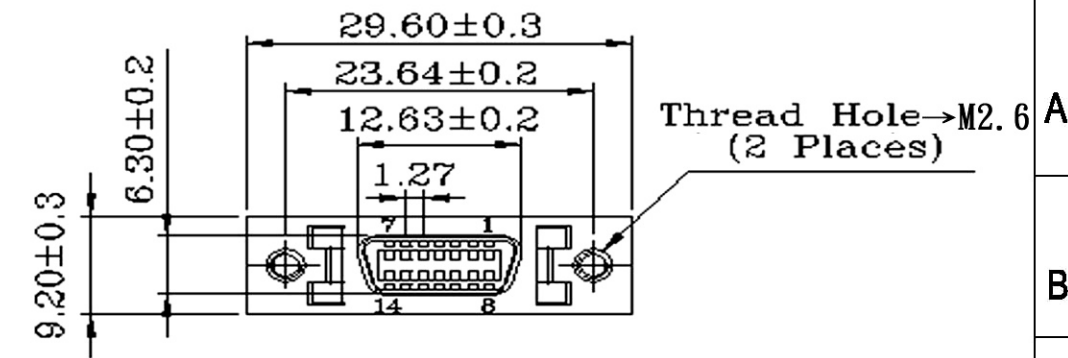


PCB Layout



• MATERIALS:(RoHS Compliant)

- Housing: Plastic Thermoplastic
P.B.T UL94V-0 Black
- Contacts: Phosphor Bronze Gold
Selective Plated
- Front Shell: Steel Nickel Plated
Over Copper
- Bracket: Steel Nickel Plated
Over Copper

• ELECTRICAL CHARACTERISTICS:

- Contact Current Rating: 1 Amp
- Dielectric Withstanding Voltage: 500V AC
- Insulation Resistance: >500MΩ/Min
- Contact Resistance: 35mΩ/Max
- Operation Temperature: -55°C ~ +105°C

<p>RoHS Compliant</p>		<p>HSM 玄茂科技股份有限公司 HSUAN MAO TECHNOLOGY CO., LTD.</p>	
<p>APPD. 核准</p>		<p>TOLERANCE 容許公差</p> <p>0 ±</p> <p>.00 ±</p> <p>ANG. ±</p>	<p>PART NAME 品名</p> <p>SCSI-11 CENTRONIC PCB 180°1.27mm 14P FEMALE THREAD INSERT M2.6 UNC W/FRONT LATCH METAL SHELL SELECTIVE GOLD 5U" PLATING STANDARD TYPE BLACK INSULATOR ROHS LOW-LEAD</p>
<p>DWG. HELEN</p>	<p>SCALE 比例 參考</p>	<p>UNIT 單位 MM</p>	<p>PART NO.</p>
<p>DATE 制表日</p> <p>2007/7/23</p>	<p>PAGE 張數 1 OF 1</p>	<p>REV. 版本 A</p>	<p>料號 C0511-14FADEB1R</p>