

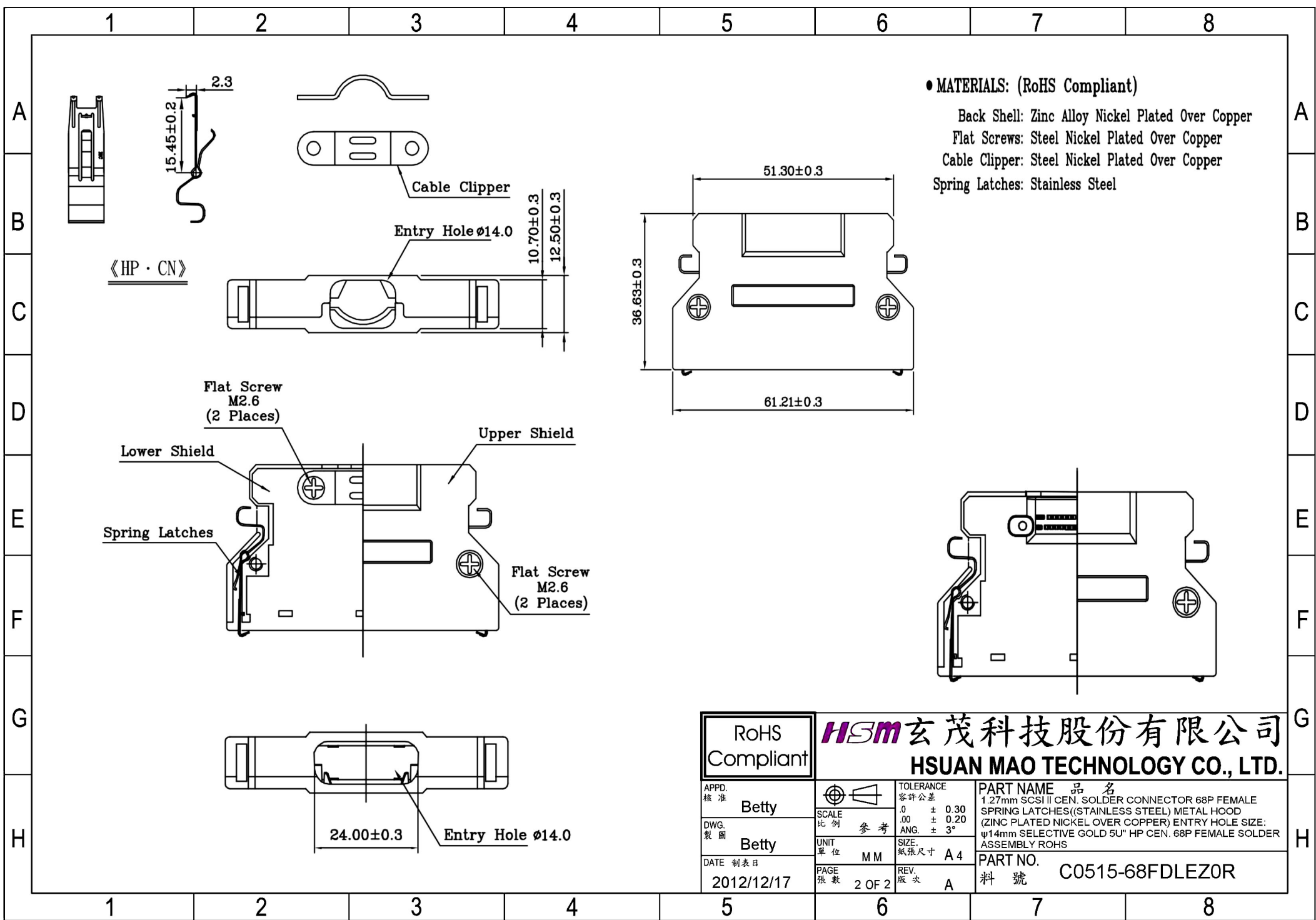
● **MATERIALS: (RoHS Compliant)**

Housing: Plastic Thermoplastic
P.B.T UL94V-0 Black
Contacts: Phosphor Bronze Gold
Selective Plated
Front Shell: Steel Nickel Plated Over Copper

● **ELECTRICAL CHARACTERISTICS:**

Contact Current Rating: 0.5 Amp
Dielectric Withstanding Voltage: 500V AC
Insulation Resistance: >500MΩ/Min
Contact Resistance: 35mΩ/Max
Operation Temperature: -55°C ~ +85°C

RoHS Compliant		玄茂科技股份有限公司 HSUAN MAO TECHNOLOGY CO., LTD.	
APPD. 核准 Betty	 SCALE 比例 参考 UNIT 單位 M M PAGE 張數 2 OF 2	TOLERANCE 容許公差 .0 ± 0.30 .00 ± 0.20 ANG. ± 3°	PART NAME 品名 1.27mm SCSI II CEN. SOLDER CONNECTOR 68P FEMALE SPRING LATCHES((STAINLESS STEEL) METAL HOOD (ZINC PLATED NICKEL OVER COPPER) ENTRY HOLE SIZE: φ14mm SELECTIVE GOLD 5U" HP CEN. 68P FEMALE SOLDER ASSEMBLY ROHS
DWG. 製圖 Betty		SIZE. 紙張尺寸 A 4	PART NO. 料號 C0515-68FDLEZ0R
DATE 制表日 2012/12/17		REV. 版次 A	



● MATERIALS: (RoHS Compliant)

Back Shell: Zinc Alloy Nickel Plated Over Copper
 Flat Screws: Steel Nickel Plated Over Copper
 Cable Clipper: Steel Nickel Plated Over Copper
 Spring Latches: Stainless Steel

《HP · CN》

RoHS Compliant		HSM 玄茂科技股份有限公司 HSUAN MAO TECHNOLOGY CO., LTD.	
APPD. 核准 Betty	SCALE 比例 参考 UNIT 單位 M M PAGE 張數 2 OF 2	TOLERANCE 容許公差 .0 ± 0.30 .00 ± 0.20 ANG. ± 3°	PART NAME 品名 1.27mm SCSI II CEN. SOLDER CONNECTOR 68P FEMALE SPRING LATCHES((STAINLESS STEEL) METAL HOOD (ZINC PLATED NICKEL OVER COPPER) ENTRY HOLE SIZE: ψ14mm SELECTIVE GOLD 5U" HP CEN. 68P FEMALE SOLDER ASSEMBLY ROHS
DWG. 製圖 Betty		DATE 制表日 2012/12/17	REV. 版次 A