

• **MATERIALS:(RoHS Compliant)**

Housing: Plastic Thermoplastic  
P.B.T UL94V-0 Black

Contacts: Phosphor Bronze Gold  
Selective Plated

Front Shell: Steel Nickel Plated Over Copper

• **ELECTRICAL CHARACTERISTICS:**


Contact Current Rating: 1 Amp

Dielectric Withstanding Voltage: 500V AC

Insulation Resistance: >500MΩ/Min

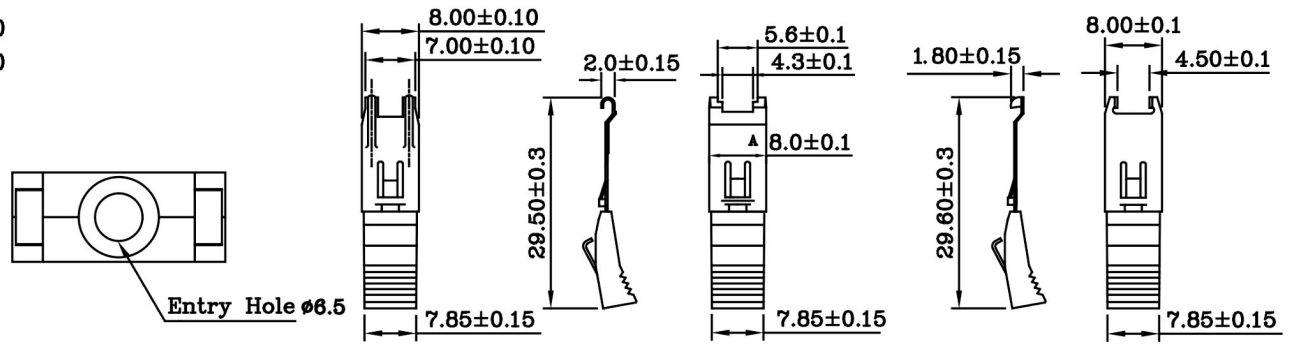
Contact Resistance: 35mΩ/Max

Operation Temperature: -55°C ~ +105°C

RoHS Compliant		<b>HSM</b> 玄茂科技股份有限公司 HSUAN MAO TECHNOLOGY CO., LTD.	
APPD. 核准	BETTY	 TOLERANCE 容許公差 .0 ± .00 ± ANG. ±	PART NAME 品名
DWG. 製圖	BETTY		1.27mm SCSI II GEN. SOLDER CONNECTOR 20P MALE ENTRY HOLE SIZE:φ6.5 SELECTIVE GOLD 5U" PLATING HOOD:IVORY ROHS
DATE 制表日	2011/03/09	UNIT 單位	PART NO.
		M M	C0517-20MAXE10R
		PAGE 張數	料號
		1 OF 2	
		REV. 版次	
		B	

• MATERIALS:(RoHS Compliant)

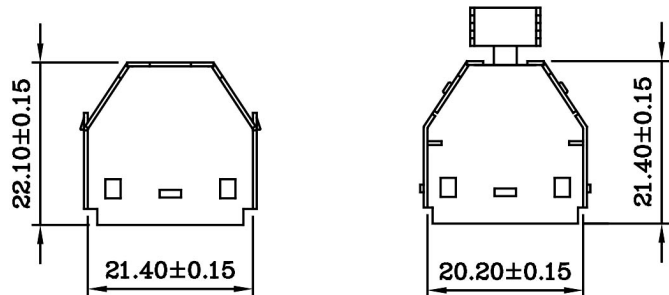
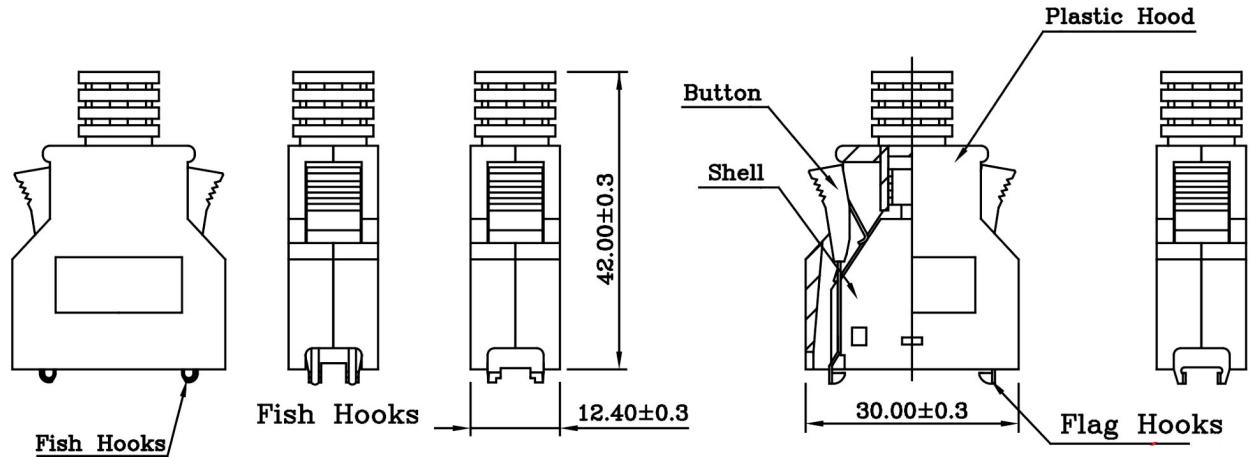
Hood: Plastic Thermoplastic ABS UL 94V-0  
 Latch Cover: Plastic Thermoplastic ABS UL 94V-0  
 Latch: Stainless Steel  
 Inner Shell: Steel Nickel Plated Over Copper



L: Fish Hooks

F: Fish Hooks

S: Flag Hooks



RoHS Compliant		HSM 玄茂科技股份有限公司 HSUAN MAO TECHNOLOGY CO., LTD.	
APPD. 核准 BETTY	SCALE 比例 参考	TOLERANCE 容許公差 .0 ± .00 ± ANG. ±	PART NAME 品名 1.27mm SCSI II GEN. SOLDER CONNECTOR 20P MALE ENTRY HOLE SIZE:φ6.5 SELECTIVE GOLD 5U" PLATING HOOD:IVORY ROHS
DWG. 製圖 BETTY	UNIT 單位 MM	SIZE 紙張尺寸 A 4	PART NO. 料號 C0517-20MAXE10R
DATE 制表日 2011/03/09	PAGE 張數 2 OF 2	REV. 版次 B	