

• MATERIALS:(RoHS Compliant)

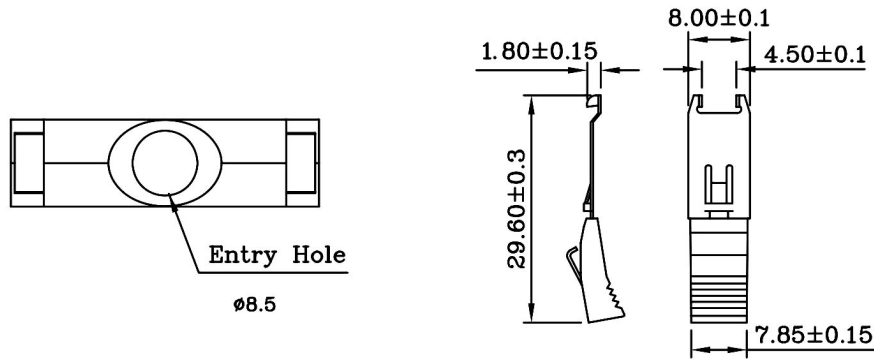
Hood: Plastic Thermoplastic ABS UL 94V-0
 Latch Cover: Plastic Thermoplastic ABS UL 94V-0
 Latch: Stainless Steel
 Inner Shell: Steel Nickel Plated Over Copper

• MATERIALS: (RoHS Compliant)

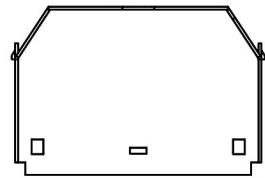
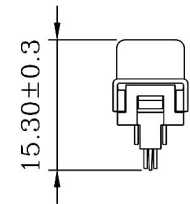
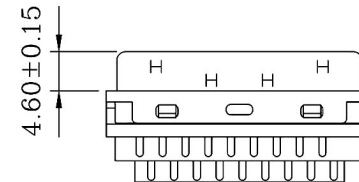
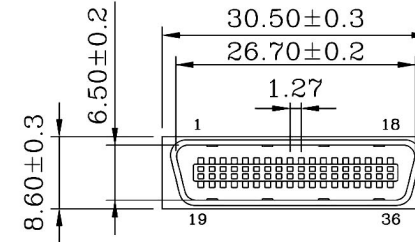
Housing: Plastic Thermoplastic
 P.B.T UL94V-0 Black
 Contacts: Phosphor Bronze Gold
 Selective Plated
 Front Shell: Steel Nickel Plated Over Copper

• ELECTRICAL CHARACTERISTICS:

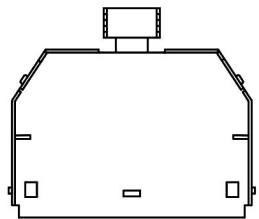
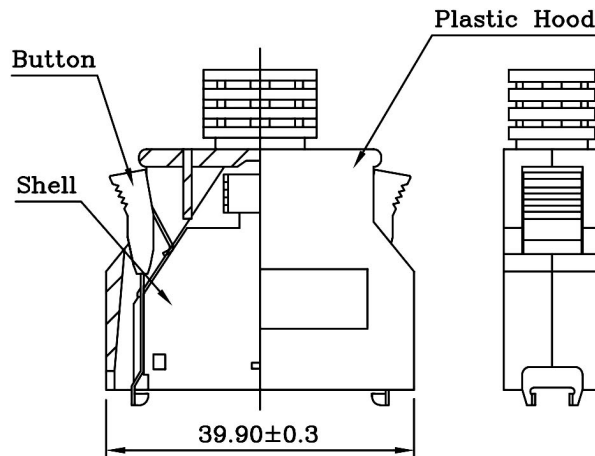
Contact Current Rating: 0.5 Amp
 Dielectric Withstanding Voltage: 500V AC
 Insulation Resistance: >500MΩ/Min
 Contact Resistance: 35mΩ/Max
 Operation Temperature: -55°C ~ +85°C



Flag Hooks



Upper Cover



Lower Cover

RoHS Compliant		HSM 玄茂科技股份有限公司 HSUAN MAO TECHNOLOGY CO., LTD.	
APPD. 核准		TOLERANCE 容許公差	PART NAME 品名
DWG. 製圖	Betty	SCALE 比例	1.27mm SCSI II CEN. SOLDER CONNECTOR 36P MALE FLAG HOOK SPRING LATCHES(STAINLESS STEEL)T=0.3mm ENTRY HOLE SIZE:φ8.5
DATE 制表日	2016/09/21	UNIT 單位	SELECTIVE GOLD 5U" HOOD:IVORY ROHS
		PAGE 張數	PART NO.
		1 OF 1	料號 C0517-36MJSEI0R
			REV. 版次
			A