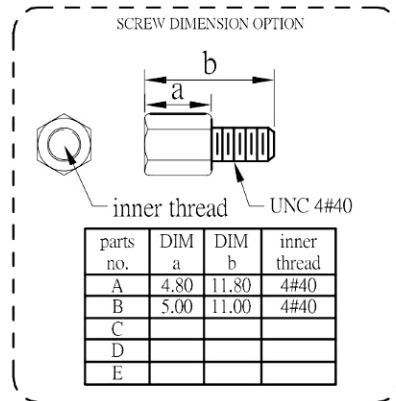
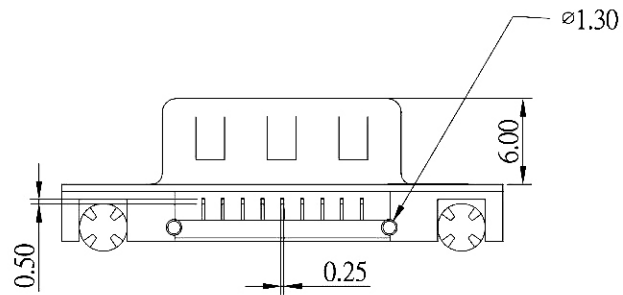
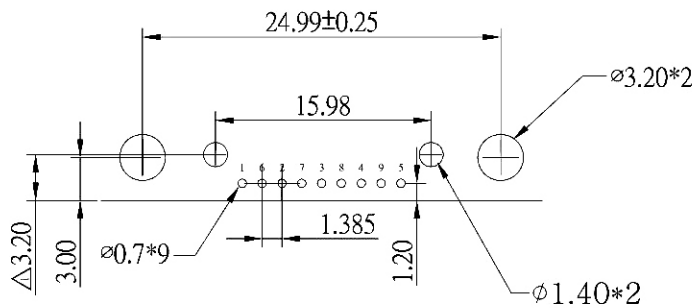


MATERIAL
 HOUSING : HIGH TEMPERATURE HOUSING
 NY-9T (UL94V-0) WITHSTANDS IR AND
 VPR SOLDERING METHODS.
 CONTACTS : PHOSPHOR BRONZE.
 PLATING : SELECTIVE GOLD PLATED.

SPECIFICATION
 CURRENT RATING : 1AMP.
 INSULATOR RESISTANCE 5000MΩ MIN. AT DC 500V.
 CONTACT RESISTANCE : 20MΩ MAX. AT DC 100mA.
 OPERATING TEMPERATURE : -65°C~+125°C.
 MAX PROCESSING TEMPERATURE: 260±10°C FOR 3~5 SECONDS.



parts no.	DIM a	DIM b	inner thread
A	4.80	11.80	4#40
B	5.00	11.00	4#40
C			
D			
E			



RoHS Compliant		HSM 玄茂科技股份有限公司 HSUAN MAO TECHNOLOGY CO., LTD.	
APPD. 核准 BETTY		TOLERANCE .0±0.30 .00±0.20 .000±.050 0.000±.0000 ANG.±3°	PART NAME 品名 D-SUB R/A FOR NOTE BOOK-9M THREAD INSERT 4-40UNC & W/ 4-PRONG BOARDLOCK Tin or Nickel SHELL+DIMPLE BLACK COLOR SELECTIVE GOLD LAYOUT SINGLE ROW(24.99/15.9) ROHS
DWG. 製圖 KAREN	SCALE 比例 參考	UNIT 單位 MM	PART NO. 料號 C0526-09MHXXSBR
DATE 制表日 2014/01/28	PAGE 張數 1 OF 1	REV. 版本 A	