

1 2 3 4 5 6 7 8

A

B

C

D

E

F

G

H

A

B

C

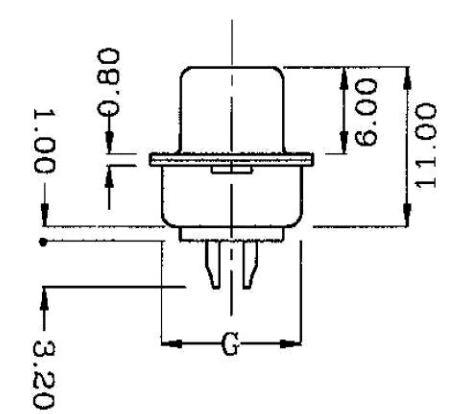
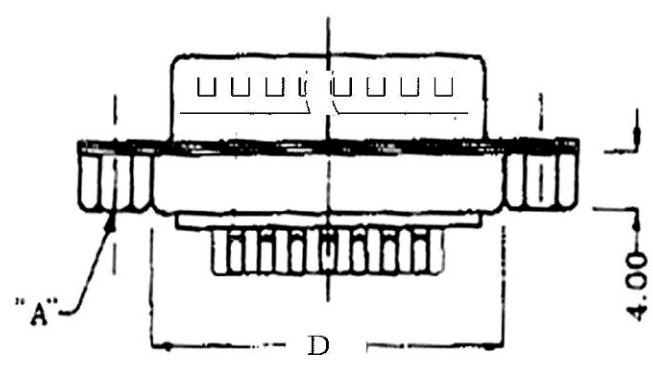
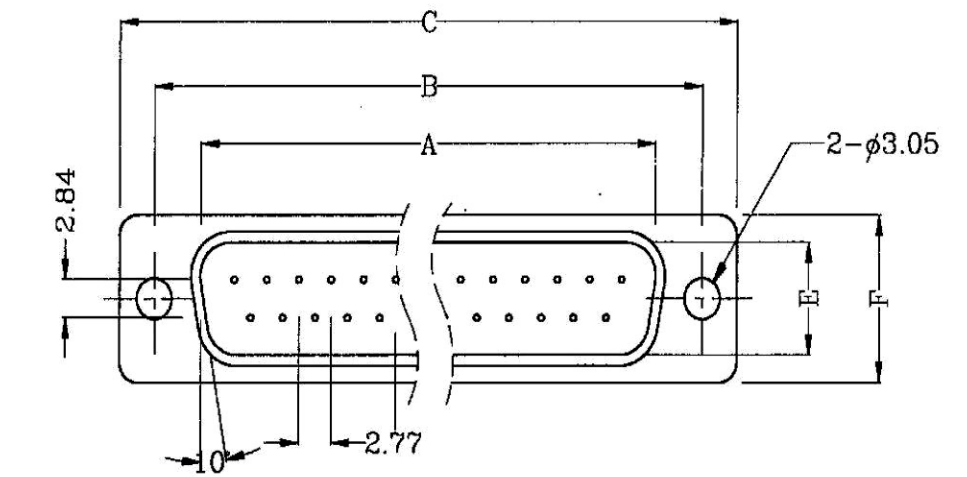
D

E

F

G

H



MATERIAL:
 Insulator: PBT+30% Glass Fiber
 UL94V-0
 Pin contacts: Brass or Phosphor Bronze
 Gold Plated & Tin plated
 Shell: Steel, SPCC
 Nickei & Tin Plated

ELECTRICAL DATA:
 Rated Voltage: 350V AC
 Rated Current: 5A
 Withstand Voltage: 500V AC(RMS)
 Insulation Resistance: Over 1000 MΩ
 Contact Resistance: 5 MΩ AT 1A
 Temperature: -40°C~100°C

DIM "A"
#4-40UNC
M3*0.5
M2.6*0.45

DIM M/F	A±0.13	B±0.10	C±0.13	D±0.10	E±0.13	F±0.10	G±0.13
09	16.90	25.00	30.80	19.30	8.40	12.50	10.70
15	25.30	33.30	39.10	27.50	8.40	12.50	10.70
25	39.00	47.00	53.00	41.30	8.40	12.50	10.70
37	55.40	63.50	69.30	57.70	8.40	12.50	10.70
50	52.80	61.10	66.90	55.30	11.10	15.40	13.60

**RoHS
Compliant**

HSM 玄茂科技股份有限公司
HSUAN MAO TECHNOLOGY CO., LTD.

APPD. 核准 BETTY
 DWG. 製圖 KAREN
 DATE 制表日 2012/05/29

SCALE 比例 參考
 UNIT 單位 MM
 PAGE 張數 1 OF 1

TOLERANCE 容許公差 ±0.2mm
 SIZE 線規尺寸 A4
 REV. 版本 B
 PART NAME 品名 D-SUB SOLDER TYPE STAMPED PIN
 XXP MALE REAR RIVET 3.8mm OPEN
 HEX RIVET ROHS
 PART NO. 料號 C0540-XXMCEXXR

1 2 3 4 5 6 7 8