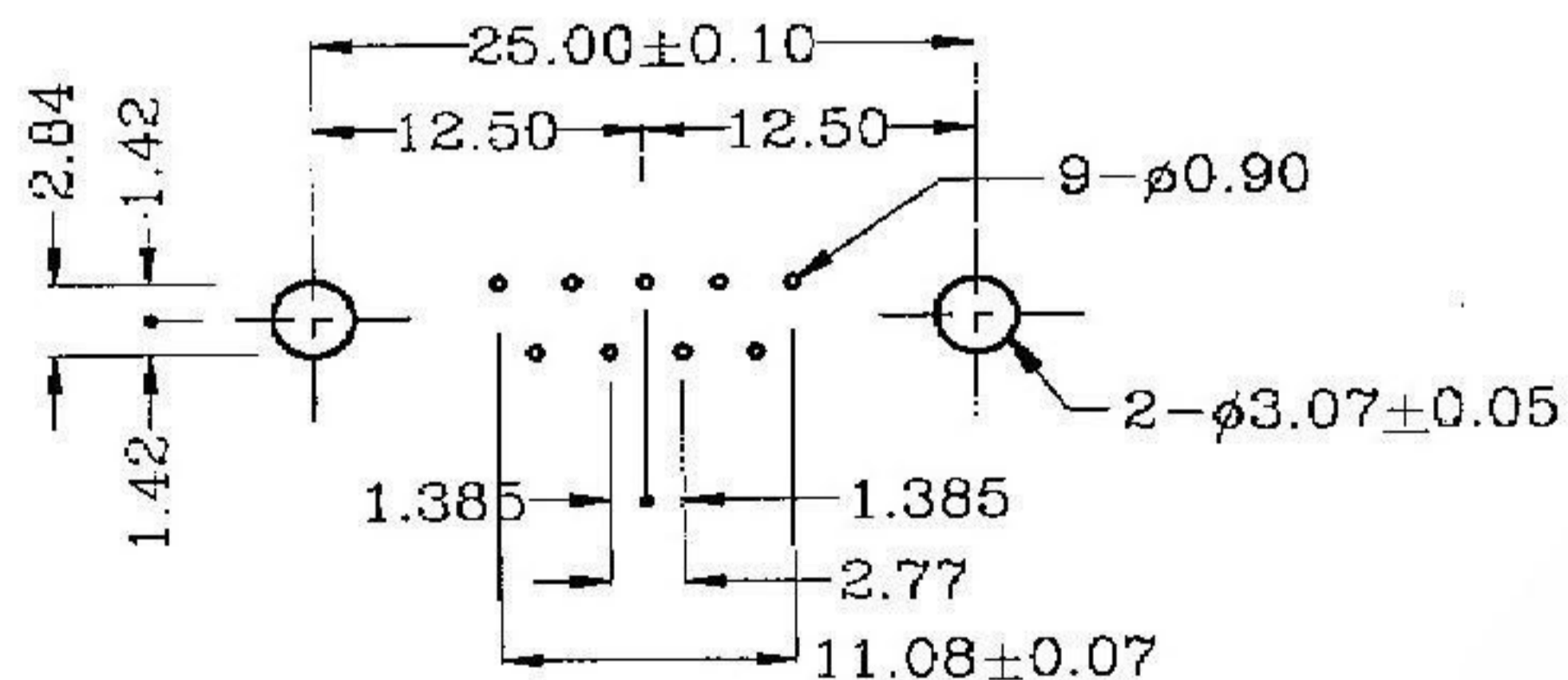
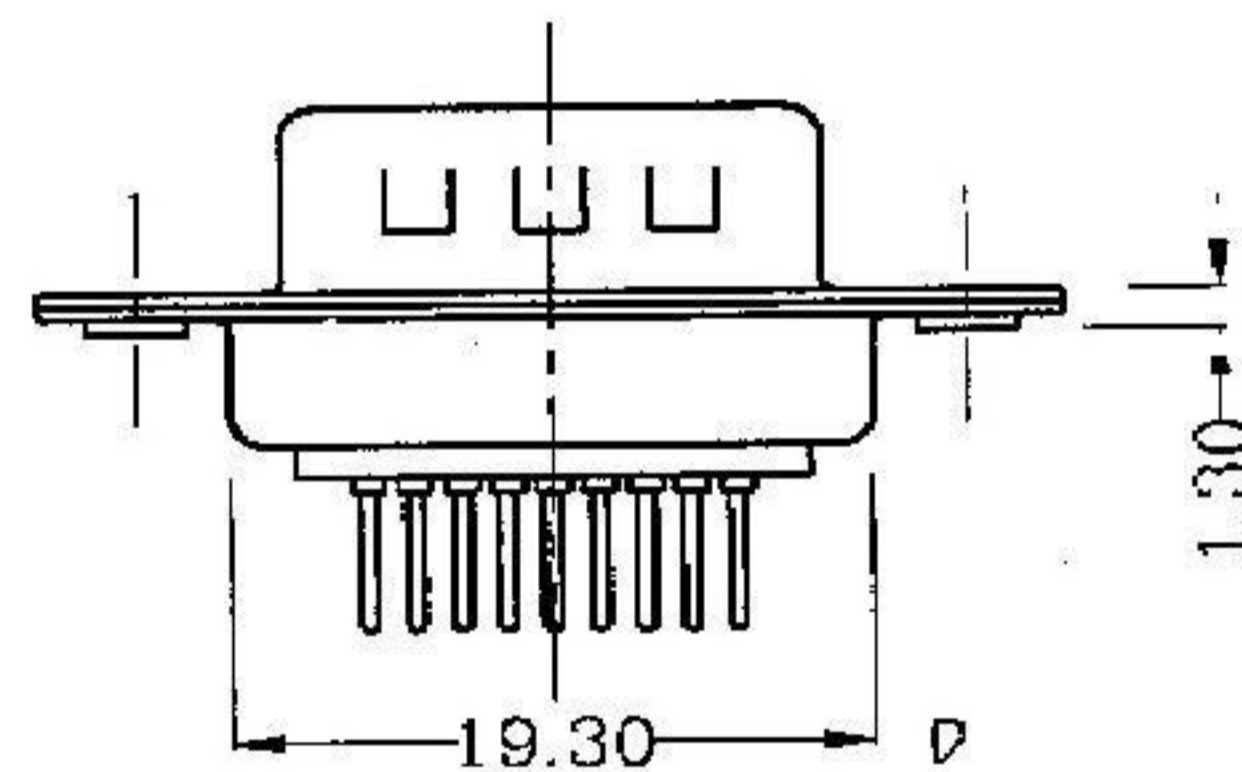


Material :
 Insulator : Glass-Filled Thermoplastic PBT,UL94V-0 rated
 Contact : Brass
 Shell : Steel, refer to ordering information for plating
 Clinch Nut : Brass,100u" min Nickel Plated.
 Screwlock : Brass,100u" min Nickel Plated.

Electrical :
 Contact resistance : 20 milliohms Max at 1 AMP DC.
 Insulation Resistance : 1000 magohms at 500 VDC
 Dielectric Withstanding Voltage : 1000 VAC/ms 60Hz for 1 minute

Current Rating : 3 AMP
 Volatage Rating : 250 VAC/rms 60Hz



P.C BOARD LAYOUT

SHELL SIZE	9P	15P	25P	37P
A	30.80	39.10	53.00	69.30
B	25.00	33.30	47.00	63.50
C	16.90	25.30	39.00	55.40
D	19.30	27.50	41.30	57.70

RoHS
Compliant

HSM 玄茂科技股份有限公司
HSUAN MAO TECHNOLOGY CO., LTD.

APPD. 核准		TOLERANCE 容許公差 .0 ±0.25 .00 ± ANG. ±	PART NAME 品名 D-SUB PCB STRAIGHT STAMPED PIN XXP MALE TIN OR NICKEL SHELL+DIMPLE ROHS
DWG. 製圖 <i>Helen</i>	SCALE 比例 參考	SIZE 紙張尺寸 A4	PART NO. 料號 C0541-XXMAAXXR
DATE 制表日 2014/12/23	UNIT 單位 MM	PAGE 張數 1 OF 1	REV. 版本 A