

MATERIAL:

Insulator: Glass Filled Thermoplastic
PBT, UL94V-0 rated

Contact: Brass

Shell: Steel, "A" (Tin Plating+Dimple) or
"B" (Nickel Plating+Dimple)

Electrical

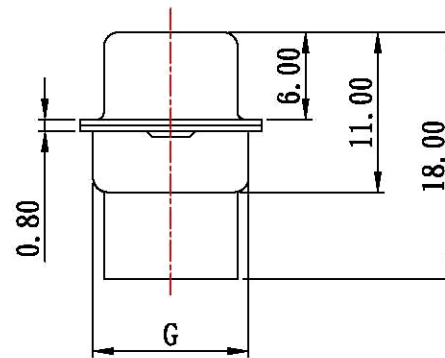
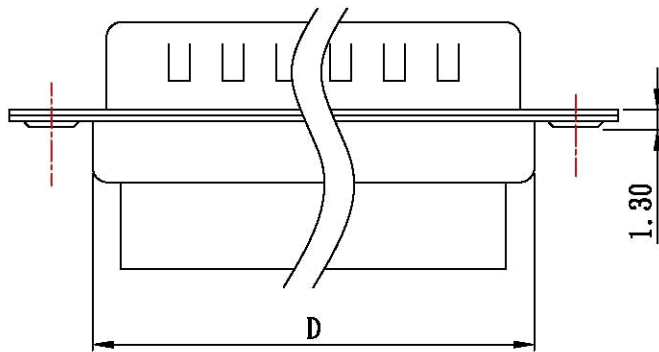
Contact Resistance: 20milliohms Max at 1AMP DC.

Insulation Resistance: 1000magohms at 500V DC

Dielectric Withstanding Voltage: 1000V AC/rms 60Hz for 1 minute

Current Rating: 3 AMP

Voltage Rating: 250V AC/rms 60Hz



M/F \ DIM	A	B	C	D	E	F	G
09	16.90	25.00	30.80	19.30	8.40	12.50	10.70
15	25.30	33.30	39.10	27.50	8.40	12.50	10.70
25	39.00	47.00	53.00	41.30	8.40	12.50	10.70
37	55.40	63.50	69.30	57.70	8.40	12.50	10.70
50	52.80	61.10	66.90	55.30	11.10	15.40	13.60

	玄茂科技股份有限公司 HSUAN MAO TECHNOLOGY CO., LTD.		PART NAME 品名 D-SUB CRIMPING HOUSING XXP MALE BLACK INSLATOR ROHS
	APPD. DWG. Karen DATE 2012/09/04	SCALE 参考 UNIT M M PAGE 1 OF 1	
		PART NO. 料號 C0542-XXMAAXB0R	