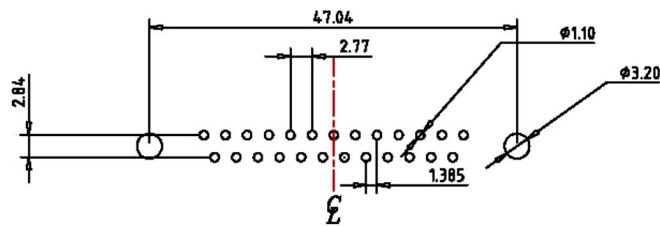
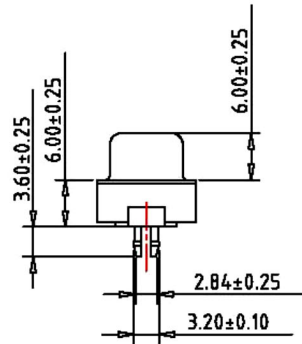
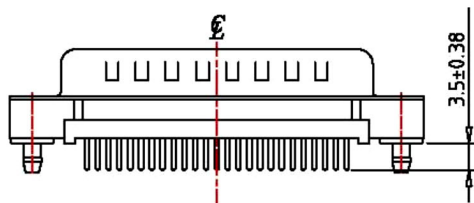


SPECIFICATIONS

ELECTRICAL CHARACTERISTICS:

Contact Current Rating: 3 Amperes.
 Dielectric Withstanding Voltage: AC 1000/60sec.r.m.s.
 Insulation Resistance: 5000 Medohms Minimum.at DC 500V.
 Contact Resistance: 25 Milliohms Maximum.
 Operating Temperature: -55°C to +105°C.



RECOMMENDED P.C.B LAYOUT

RoHS Compliant		玄茂科技股份有限公司 HSUAN MAO TECHNOLOGY CO., LTD.	
APPD. 核准 Angel		TOLERANCE 容許公差 X ±0.30 .XX ±0.25 .XXX ±0.150 Ang. ±2°	PART NAME 品名 D-SUB PCB STRAIGHT TYPE STAMPED PIN FRONT METAL-SHELL 25P FEMALE RIVET W/4-40 UNC BOARDLOCK NON ACCESSORIES NICKEL+DIMPLE SHELL SELECTIVE GOLD PLATING BLACK INSULATOR ROHS
DWG. 製圖 Yumi	SCALE 比例 參考	SIZE 紙張尺寸 A 4	PART NO. 料號 C0543-25MDAASBR
DATE 制表日 2010/12/21	UNIT 單位 MM	PAGE 張數 1 OF 1	REV. 版次 A