

ELECTRICAL CHARACTERISTICS

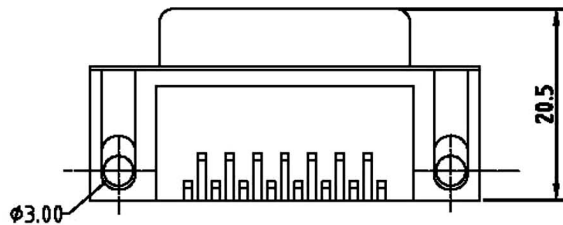
Contact Current Rating: 3 Amperes.
 Dielectric Withstanding Voltage: AC 500V at sea level.
 Insulation Resistance: 1000 Megohms Min.
 Contact Resistance: 30 Milliohms Max.
 Operation Temperature: -55°C to +105°C.

Material

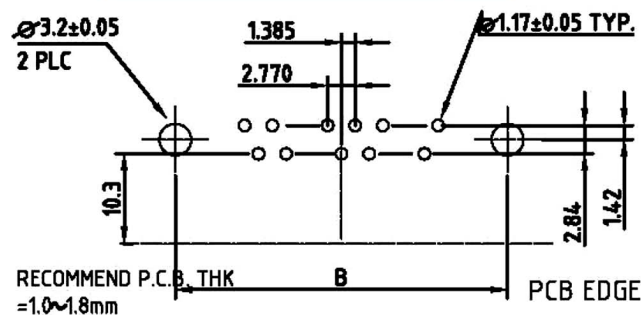
Contact: Copper Alloy.
 Insulator: PBT. (Select PA6T / LCP / PA9T)
 Shell: SPCC.
 Z-Piece: Copper Alloy.
 Screw: Copper Alloy.
 Rivet: Copper Alloy, or Zinc.

Note

No.	A	B	C
09	16.33	24.99	30.81
15	24.66	33.32	39.14
25	38.38	47.04	53.04
37	54.83	63.50	69.32



Recommend PCB Layout



RoHS Compliant		HSM 玄茂科技股份有限公司 HSUAN MAO TECHNOLOGY CO., LTD.	
APPD. 核准 Hedy	SCALE 比例 参考	TOLERANCE 容許公差 .0 ±0.3 .00 ±0.25 ANG. ±2°	PART NAME 品名 D-SUB PCB RIGHT ANGLE TYPE 9.4mm STAMPED PIN XXP FEMALE RIVET #4-40 THREAD L-SHAPE ADD 5.8mmx12mm SCREWS ROHS
DWG. 製圖 Hedy		UNIT 單位 M M	
DATE 制表日 2009/09/20	PAGE 張數 1 OF 1	REV. 版次 A	