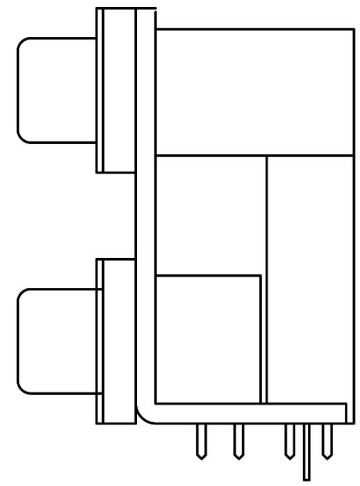
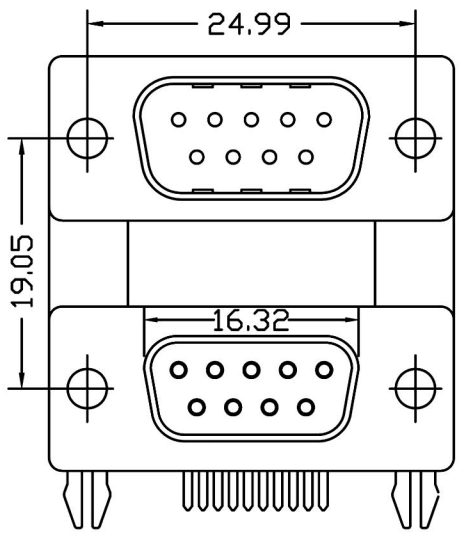


1 2 3 4 5 6 7 8

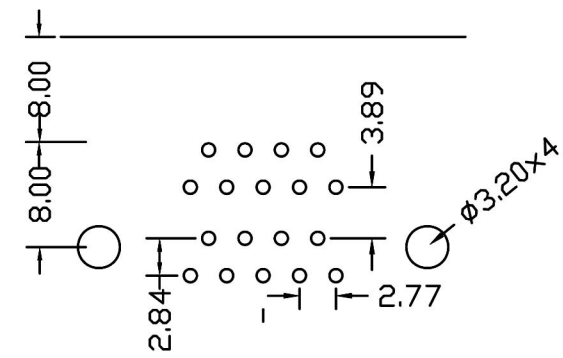
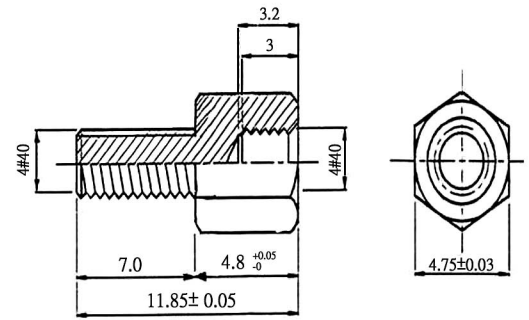
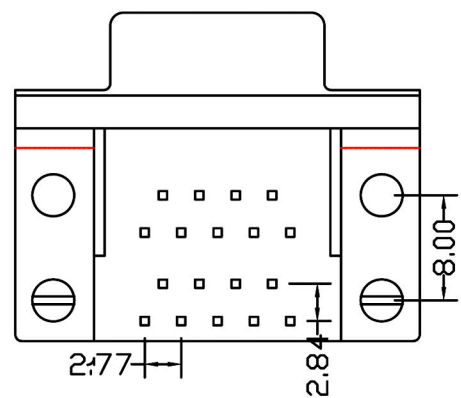
A
B
C
D
E
F
G
H



Contact Resistance: 30m Ω max. at DC 100mA
 Insulator Resistance: 1000m Ω min. at DC 500V
 Current Rating: 5AMP

Dielectric Withstanding
 Voltage: AC 1000V For 1 minut
 Operating Temperature: -55°C ~+105°C
 Contact: Brass
 Housing: PBT & 30% Glass Fiber(UL 94V-0)
 Shell:Nickel Plated

P. C. B LATOUT



RoHS Compliant		HSM 玄茂科技股份有限公司	
		HSUAN MAO TECHNOLOGY CO., LTD.	
APPD. 核准	SCALE 比例 参考	TOLERANCE 容許公差	PART NAME 品名
DWG. 製圖		UNIT 單位	D-SUB RIGHT ANGLE DUAL PORT DB9M/DB9F SINGLE BOARDLOCK UP BOARDLOCK 16.0mmADD SCREWS (4.8x11.8mm)PORT SPACING 19.05mm GOLD FLASH PLATING BLACK INSULATOR ROHS
DATE 制表日	PAGE 張數	SIZE. 紙張尺寸	PART NO.
2015/05/18	1 / 1	A 4	料號 C0553-09BCBBGBR

1 2 3 4 5 6 7 8