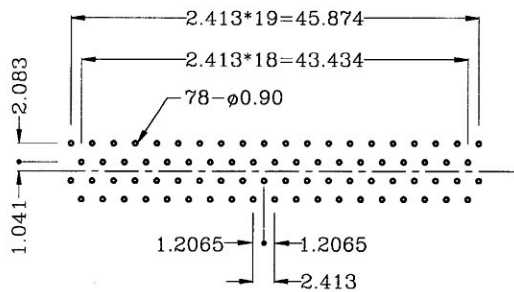
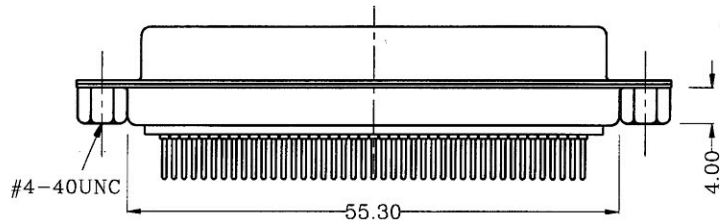
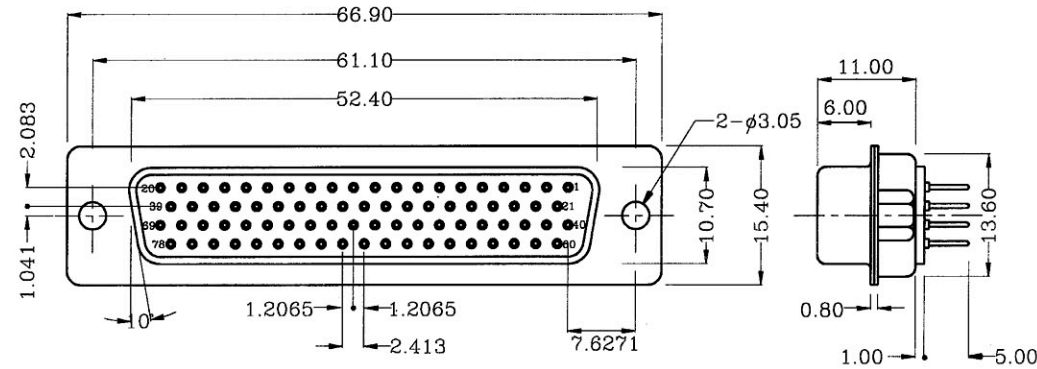


DIMENSION : mm  
 CONTACT TYPE : 78PIN FEMALE



P.C BOARD LAYOUT

**MATERIAL:**

Insulator: PBT+30% Glass Fiber  
 UL94V-0  
 Pin contacts: Brass Gold Plated  
 & Selective Tin plated  
 Shell: Steel, SPCC  
 Nickel & Tin Plated

**ELECTRICAL DATA:**

Rated Voltage: 350V AC  
 Rated Current: 5A  
 Withstand Voltage: 500V AC(RMS)  
 Insulation Resistance: Over 1000MΩ  
 Contact Resistance: 5MΩ AT 1A  
 Temperature: -40°C ~ +100°C

<b>RoHS Compliant</b>		<b>HSM 玄茂科技股份有限公司</b> <b>HSUAN MAO TECHNOLOGY CO., LTD.</b>	
APPD. 核准		<b>TOLERANCE</b> 容許公差 0 ± 0.35 .00 ± 0.25 ANG. ± 3°	<b>PART NAME 品名</b> H. D. D-SUB PCB STRAIGHT STAMPED PIN 78P FEMALE REAR RIVET 3.8mm OPEN HEX RIVET NICKEL ROHS
DWG. 製圖 <i>Helen</i>	<b>SCALE</b> 比例 參考	<b>UNIT</b> 單位 MM	<b>PART NO.</b> 料號 C0561-78FCExXXR
DATE 制表日 2018/4/20	<b>PAGE</b> 張數 1 OF 1	<b>REV.</b> 版本 A	