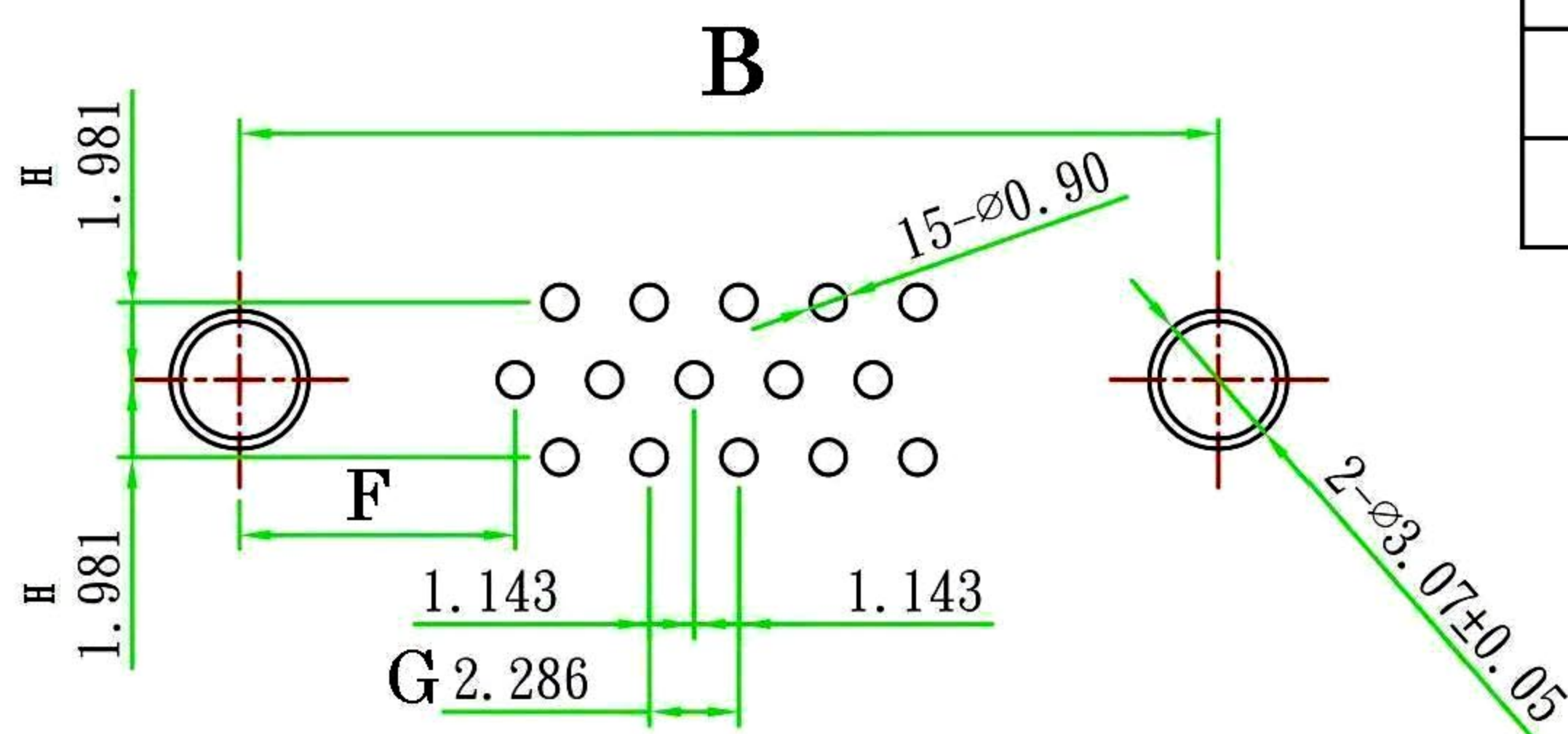
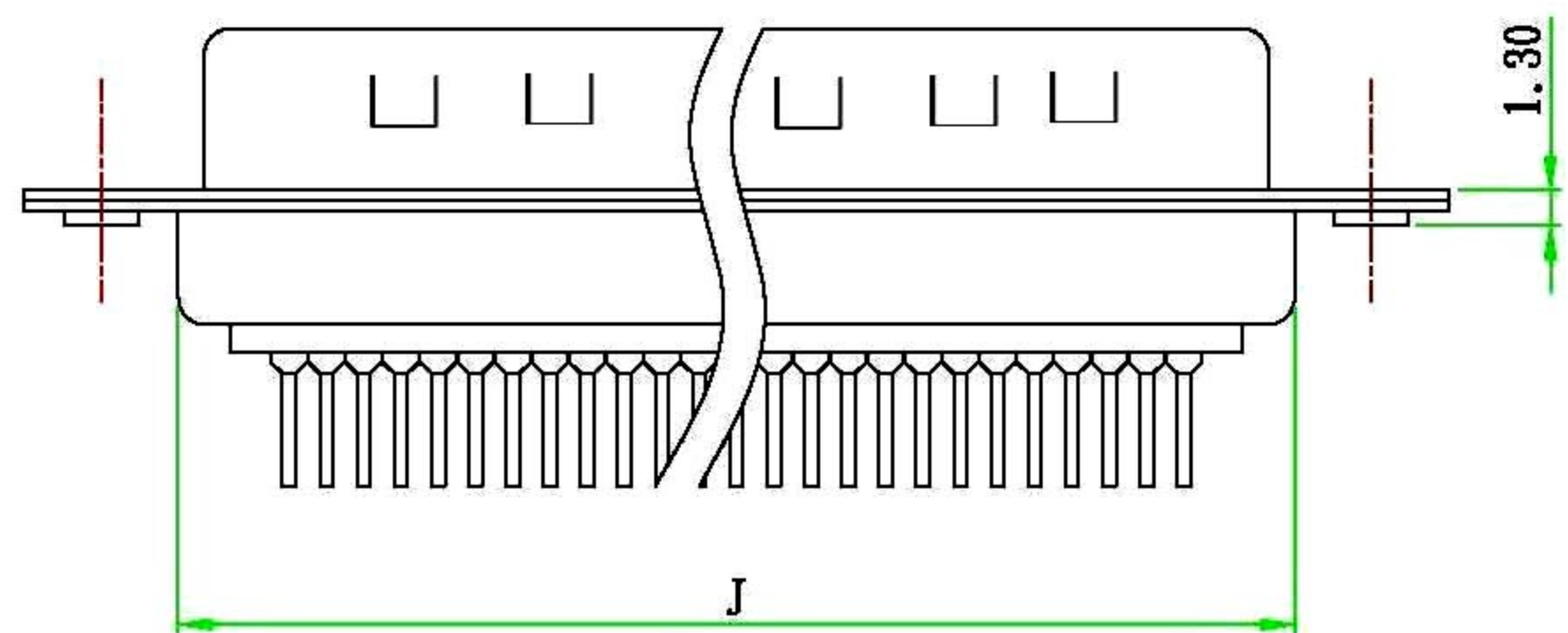


**MATERIAL:**  
 Insulator: PBT+30% Glass Fiber  
 UL94V-0  
 Pin contacts: Brass Gold Plated  
 & Selective Tin plated  
 Shell: Steel, SPCC  
 Nickel & Tin Plated

**ELECTRICAL DATA:**  
 Rated Voltage: 350V AC  
 Rated Current: 5A  
 Withstand Voltage: 500V AC(RMS)  
 Insulation Resistance: Over 1000MΩ  
 Contact Resistance: 5MΩ AT 1A  
 Temperature: -40°C ~ +100°C



公差 序号 尺寸	A	B	C	D	E	F	G	H	I	J
15P	16.90	25.00	30.80	8.40	12.50	7.039	2.286	1.981	10.70	19.30
26P	25.30	33.30	39.10	8.40	12.50	6.871	2.286	1.981	10.70	27.50
44P	39.00	47.05	53.00	8.40	12.50	6.863	2.286	1.981	10.70	41.30
62P	55.40	63.50	69.30	8.40	12.50	6.998	2.413	1.981	10.70	57.70

P. C. BOARD LAYOUT

**RoHS  
Compliant**

**HSM 玄茂科技股份有限公司**  
**HSUAN MAO TECHNOLOGY CO., LTD.**

APPD.		TOLERANCE	PART NAME 品名 H.D. D-SUB PCB STRAIGHT TYPE STAMPED PIN XXP MALE THROUGH HOLE BLACK INSULATOR ROHS
DWG. Helen	SCALE 参考	.0 ± 0.35 .00 ± ANG. ±	
DATE 2014/3/18	UNIT M M	SIZE. A 4	
	PAGE 1 OF 1	REV. A	PART NO. <b>C0561-XXMAAXXBR</b> 料 號