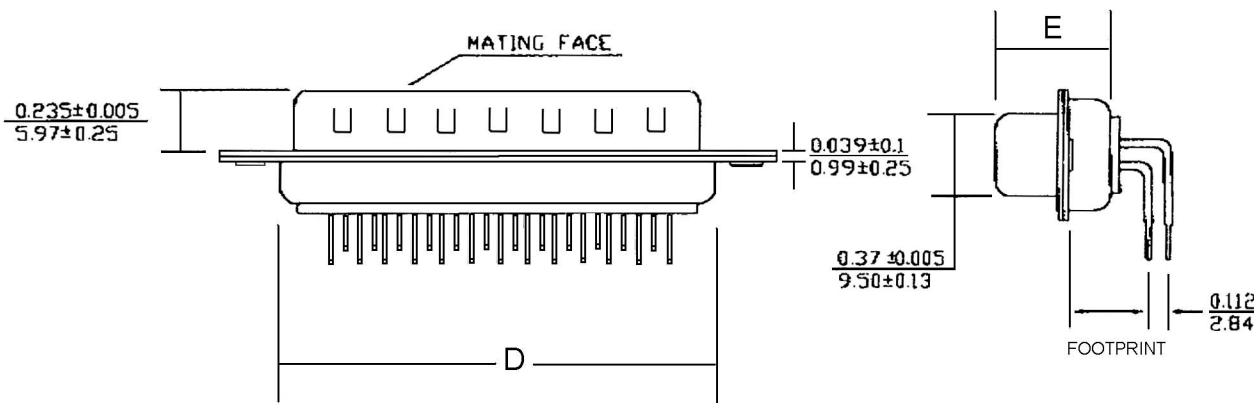
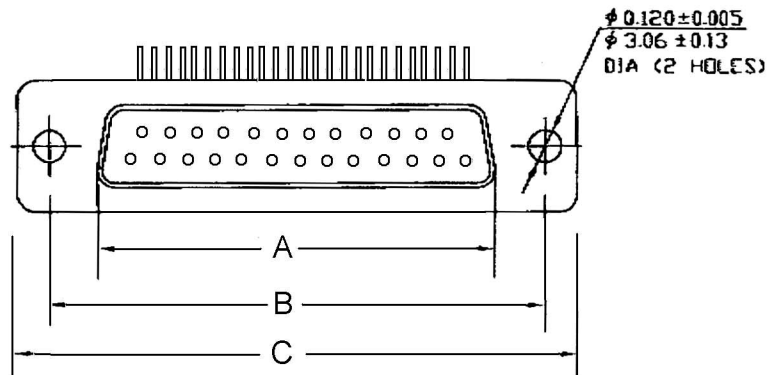


D-SUB MACHINED PIN CONNECTOR,
RIGHT ANGLE TYPE

DIMENSIONS (MALE)

SHELL SIZE	A	B	C	D	E
	0.010 0.25	0.005 0.13	0.015 0.38	0.010 0.25	0.015 0.38
9	0.666 16.92	0.984 24.99	1.213 30.81	0.759 19.28	0.426 10.82
15	0.994 25.25	1.312 33.32	1.541 39.14	1.083 27.51	0.426 10.82
25	1.534 38.96	1.852 47.04	2.088 53.04	1.625 41.28	0.426 10.82
37	2.182 55.42	2.5 63.5	2.729 69.32	2.272 57.71	0.429 10.9
50	2.079 52.81	2.406 61.1	2.635 66.93	2.178 55.32	0.429 10.9

FOOT-PRINT	0.370 9.40
------------	---------------



RoHS Compliant		HSM 玄茂科技股份有限公司 HSUAN MAO TECHNOLOGY CO., LTD.	
APPD. 核准 Betty	TOLERANCE 容許公差 .0 ± .00 ± ANG. ±	PART NAME 品名 D-SUB PCB RIGHT ANGLE 9.4mm MACHINED PIN MALE W/O BRACKET NON ACCESSORIES ROHS LOW-LEAD	
DWG. 製圖 Jolin	SCALE 比例 參考	UNIT 單位 MM	SIZE. 紙張尺寸 A 4
DATE 制表日 2007/03/21	PAGE 張數 1 / 1	REV. 版次 A	PART NO. 料號 C0573-XXMAAXXR