

1 2 3 4 5 6 7 8

A

B

C

D

E

F

G

H

A

B

C

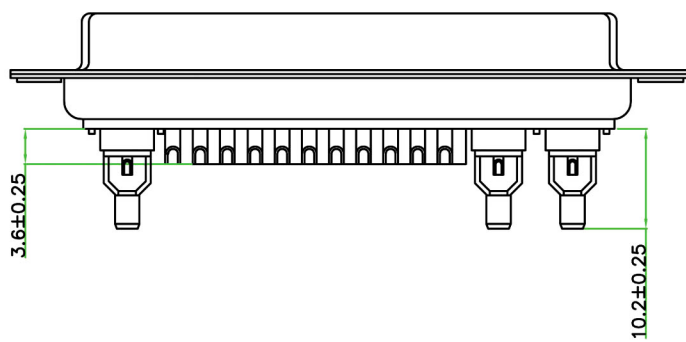
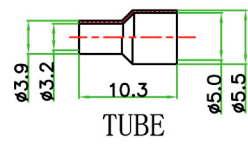
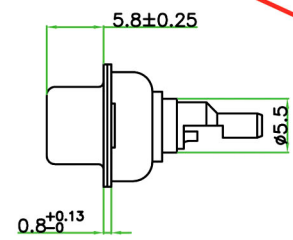
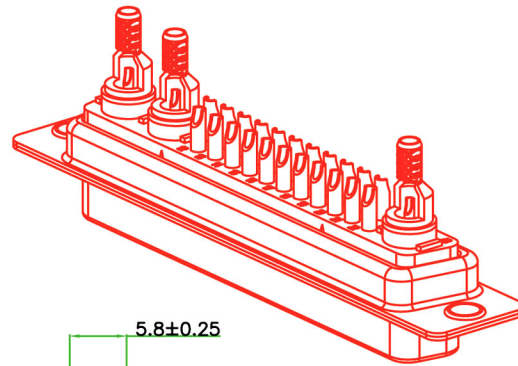
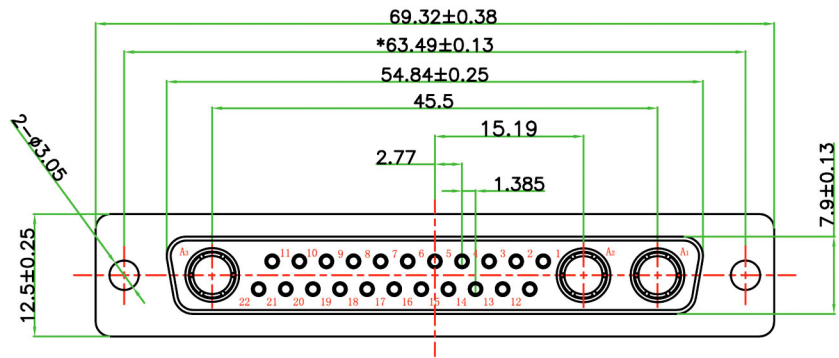
D

E

F

G

H



1. Material:

- Insulator: PBT+30% Glass Filled, UL94V-0
- Contact: Copper Alloy, Gold Plated
- Shell: Steel, Nickel Plated.
- Boardlock: Brass, Nickel Plated.
- Lockring: Brass, Nickel Plated.
- Bracket: Steel, Nickel Plated.

2. Specifications:

- Contact Current Impedance: 50 Ω
- Insulation Resistance: 1000 Megohms Min.
- Contact Resistance: 30 mΩ Max.
- Dielectric Withstanding: 1000V AC For 1 Minute At Sea Level.
- Operation Temperature: -55°C ~ +105°C

RoHS Compliant

HSM 玄茂科技股份有限公司
HSUAN MAO TECHNOLOGY CO., LTD.

APPD. 核准	 SCALE 比例 参考	TOLERANCE X: ±0.4 .X: ±0.3 .XX: ±0.2 .XXX: ±0.1 Angles: X°: ±1° X': ±1'	PART NAME 品名
DWG. 製圖			UNIT 單位
DATE 制表日	PAGE 張數	SIZE 紙張尺寸	PART NO.
2018/01/05	1 / 1	A 4	料號 C0590-HFAAN0GBR
		REV. 版次	
		A	

1 2 3 4 5 6 7 8