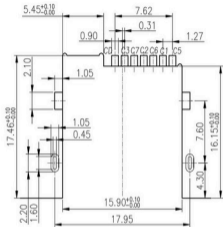
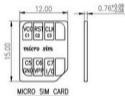


RoHS Compliant		HSM 玄茂科技股份有限公司 HSUAN MAO TECHNOLOGY CO., LTD.	
APPROVAL 核准	SCALE 比例	TOLERANCE 公差	PART NAME 品名
DATE 日期	UNIT 單位	DRYING 干燥	MICRO SIM CARD CONNECTOR PUSH-PUSH TYPE
2022/01/20	MM	REVISION 版本	REVERSE & OFFSET TYPE SPIN WITH CO PIN SMT TYPE
	1 OF 3	REV. A	OFFSET HEIGHT: 1.1mm
		REV. A	SELECTIVE GOLD PLATING
			WITHOUT LOCATING PEG
			BLACK COLOR REEL PACKING
			ROHS
			PART NO.
			料號 C0668-06DASBR0R



RECOMMENDED PCB LAYOUT
GENERAL TOLERANCE ±0.05

SIM pin Assignment	
FIN#	Name
C1	VCC
C2	RST
C3	CLK
C5	GND
C6	VPP
C7	I/O



NOTES:

MATERIAL:

Insulator: High Temperature Thermoplastic, UL 94V-0.
Contact: Copper Alloy
Shell: STAINLESS

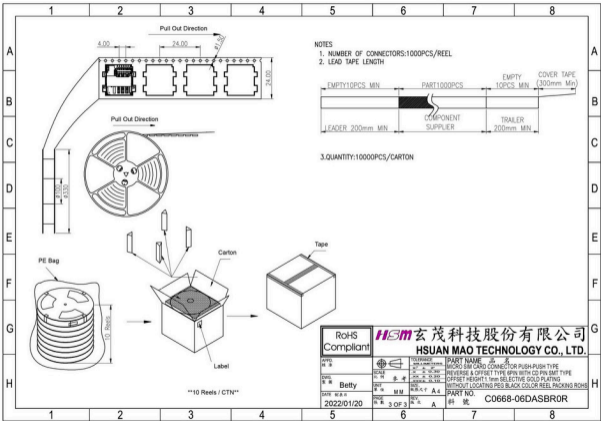
PLATING:

Contact: Plated 30u" Ni Overall Solder Area: Sn, Contact G/F
Shell: Plated 30u" Ni Overall
Plated G/F Selective Contact Area

Electrical:

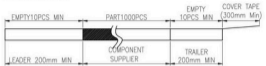
Current Rating :0.5mA max.
Voltage Rating :50V DC MAX
Ambient Temperature Range :-20°C~+85°C
Storage Temperature Range :-40°C~+70°C
Ambient Humidity Range :95% R.H. Max.
Contact Resistance:100mΩ max.
Insulation Resistance:1000MΩ min./250V DC
Dielectric Withstanding Voltage:500V AC
Mating Cycles:5,000 Insertions
Temperature 260°C ±5

RoHS Compliant	HSM 宏茂科技股份有限公司 HSUAN MAO TECHNOLOGY CO., LTD.	
APPRO. 核准	SCALE 比例 1:1	TOLERANCE 公差
DATE 日期 2022/01/20	UNIT 單位 MM	PART NAME 品名
DWG. 圖號 Betty	DATE 日期 2022/01/20	MICRO SIM CARD CONNECTOR PUSH-PUSH TYPE
DRG. 圖號 Betty	REV. 版本 A	REVERSE & OFFSET TYPE SPIN WITH C0 PIN SMT TYPE
DATE 日期 2022/01/20	DRG. 圖號 2 OF 3	OFFSET HEIGHT:1.1mm SELECTIVE GOLD PLATING
		WITHOUT LOCATING PEG BLACK COLOR REEL PACKING ROHS
		PART NO.
		料號 C0668-06DASBR0R



NOTES

1. NUMBER OF CONNECTORS:1000PCS/REEL
2. LEAD TAPE LENGTH



3. QUANTITY: 10000PCS/CARTON

RoHS Compliant		HSM 玄茂科技股份有限公司 HSUAN MAO TECHNOLOGY CO., LTD.	
APPRO. 核准	SCALE 比例	TOLERANCE 公差	PART NAME 品名
DATE 日期	UNIT 單位	REVISION 修訂	MICRO SIM CARD CONNECTOR PUSH-PUSH TYPE
2022/01/20	MM	A 4	REVERSE & OFFSET TYPE 6PIN WITH CO PIN SMT TYPE
	PAGE 頁數	REV. 版本	OFFSET HEIGHT 1.1mm SELECTIVE GOLD PLATING
	3 OF 3	A	WITHOUT LOCATING PEG BLACK COLOR REEL PACKING ROHS
			PART NO. 料號
			C0668-06DASBR0R

***10 Reels / CTN**