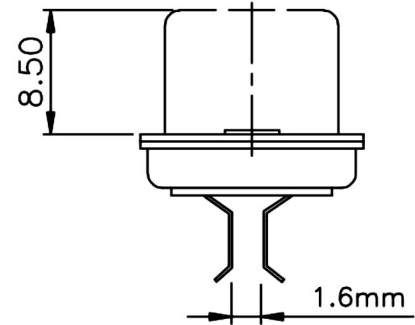
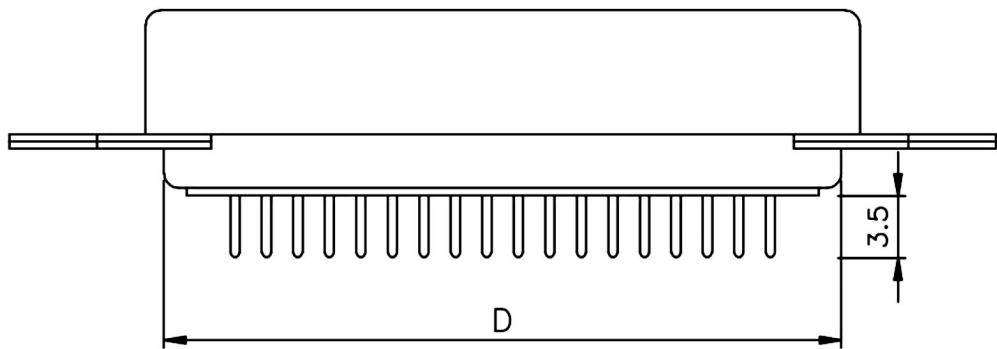


- INSULATOR - P.B.T. +30%GLASS FIBER
UL 94V-0
- CONTACT - PHOSPHOR BRONZE
- SHELL FINISH - STEEL NICKEL PLATED
- HOOD - STEEL
- PLATING - CONTACT
 - 1. GOLD FLASH (COMPLETE)
 - 2. SELECTIVE GOLD OVER NICKEL PLATED
- (CONTACT AREA) TIN OVER NICKEL PLATED (TAIL AREA)
 - SHELL
NICKEL OVER COPPER PLATED
 - HOOD
NICKEL OVER COPPER PLATED

ELECTRICAL CHARACTERISTICS

- RATING CURRENT : 1 AMP
- CONTACT RESISTANCE : < 25 MILLIOHM
- INSULATION RESISTANCE : > 1000 MEGOHM AT 500V
- DIELECTRIC VOLTAGE : 1000V AT 1 MINUTE
- OPERATION TEMPERATURE : -55°C TO +105°C

APPLIED TO WAVE SOLDER CAPABLE TO 240°



POSITION	A	B	C	D
14M	25.50	36.00	43.90	22.70
24M	36.30	46.80	54.70	33.50
36M	49.30	59.70	67.70	46.60
50M	64.40	74.90	82.80	61.70

RoHS Compliant		HSM 玄茂科技股份有限公司 HSUAN MAO TECHNOLOGY CO., LTD.	
APPD. 核准 Betty	SCALE 比例 参考	UNLESS OTHERWISE SPECIFIED TOLERANCE ANG. ±5 0. ±0.5 .0 ±0.3 .00 ±0.2	PART NAME 品名 CENTRONIC EDGE TYPE XXP MALE 1.6mm STRADDLE SPACING PANEL TYPE WITHOUT LATCH THROUGH HOLE NICKEL SHELL BLUE INSULATOR ROHS
DWG. 製圖 Betty	UNIT 單位 M M	SIZE. 紙張尺寸 A 4	PART NO. 料號 C0711-XXMAAXL0R
DATE 制表日 2012/09/25	PAGE 張數 1 OF 1	REV. 版次 A	