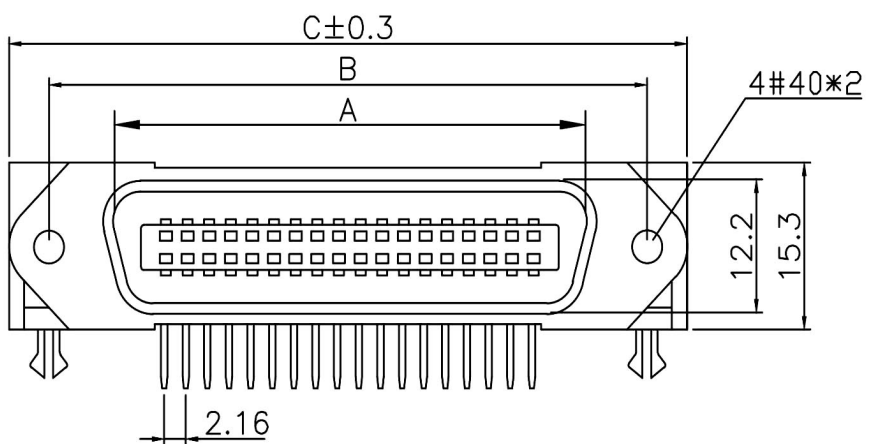


1 2 3 4 5 6 7 8

A  
B  
C  
D  
E  
F  
G  
H

A  
B  
C  
D  
E  
F  
G  
H

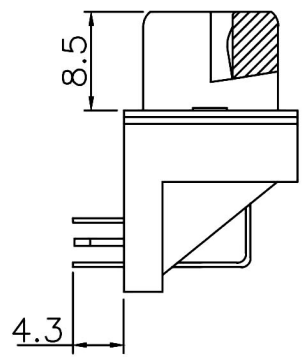
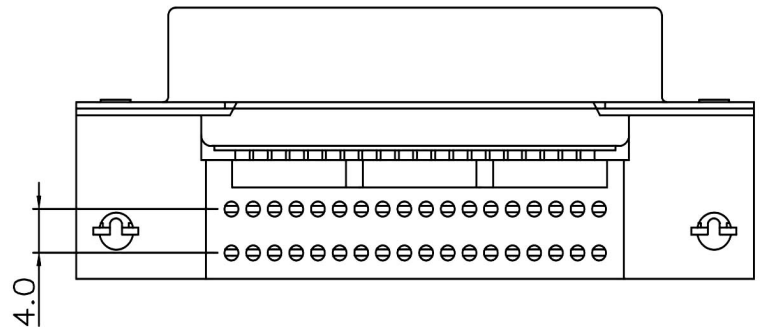


INSULATOR - P.B.T. +30%GLASS FIBER  
 UL 94V-0  
 CONTACT - PHOSPHOR BRONZE  
 SHELL FINISH - STEEL NICKEL PLATED  
 HOOD - STEEL  
 PLATING - CONTACT  
 1. GOLD FLASH (COMPLETE)  
 2. SELECTIVE GOLD OVER NICKEL PLATED  
 (CONTACT AREA) TIN OVER NICKEL PLATED (TAIL AREA)  
 - SHELL  
 NICKEL OVER COPPER PLATED  
 - HOOD  
 NICKEL OVER COPPER PLATED

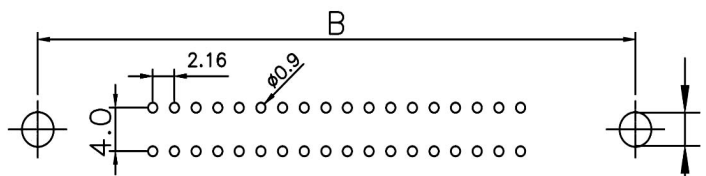
**ELECTRICAL CHARACTERISTICS**

RATING CURRENT : 1 AMP  
 CONTACT RESISTANCE : < 25 MILLIOHM  
 INSULATION RESISTANCE : > 1000 MEGOHM AT 500V  
 DIELECTRIC VOLTAGE : 1000V AT 1 MINUTE  
 OPERATION TEMPERATURE : -55°C TO +105°C

APPLIED TO WAVE SOLDER CAPABLE TO 240°



POSITION	A	B	C
14M	25.50	36.00	43.90
24M	36.30	46.80	54.70
36M	49.30	59.70	67.70
50M	64.40	74.90	82.80



RECOMMENDED P.C.B LAYOUT (TOP VIEW)  
 TOLERANCES: ±0.10mm

RoHS Compliant		HSM 玄茂科技股份有限公司 HSUAN MAO TECHNOLOGY CO., LTD.	
APPD. 核准	SCALE 比例 参考	UNLESS OTHERWISE SPECIFIED TOLERANCE ANG. ±5° 0. ±0.5 .0 ±0.3 .00 ±0.2	PART NAME 品名 CENTRONIC PCB RIGHT ANGLE TYPE XXPIN MALE RIVET WITH BOARDLOCK WITHOUT LATCH SELECTIVE GOLD PLATING BLUE INSULATOR ROHS
DWG. 製圖 Betty	UNIT 單位 M M	SIZE 紙張尺寸 A 4	PART NO. 料號 C0713-XXMABSL0R
DATE 制表日 2018/04/26	PAGE 張數 1 OF 1	REV. 版次 A	

1 2 3 4 5 6 7 8