

SPECIFICATIONS

- ① Housing Material: Polyamide 66(UL94V-0), Black
- ② Screw: M2.6 Zinc Plated Steel
- ③ Terminals: Tin Plated Brass
- ④ Wire Clamp: Nickel Plated Brass

Screws Torque: 3.5 In-Lb

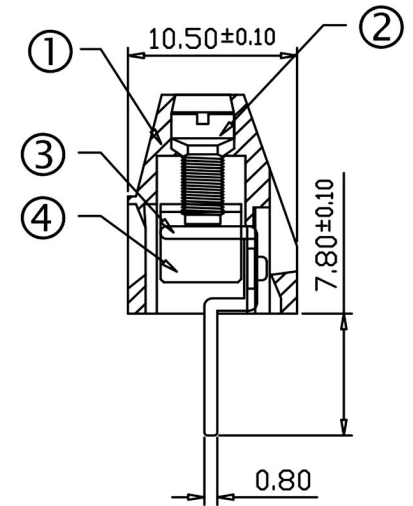
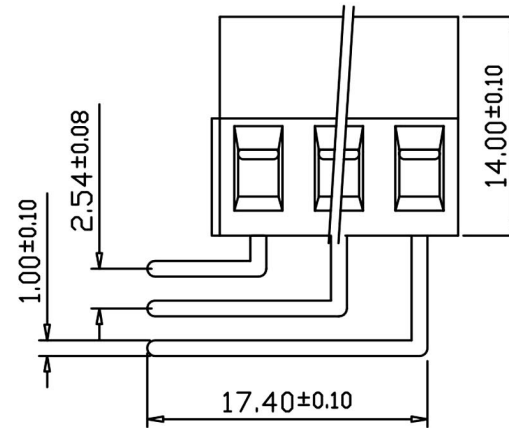
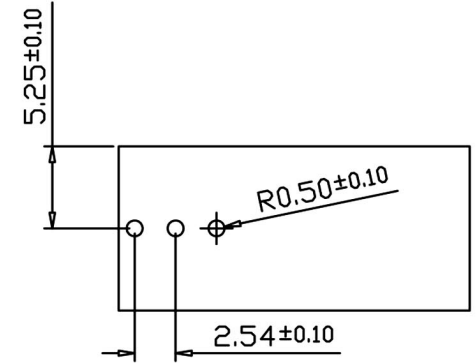
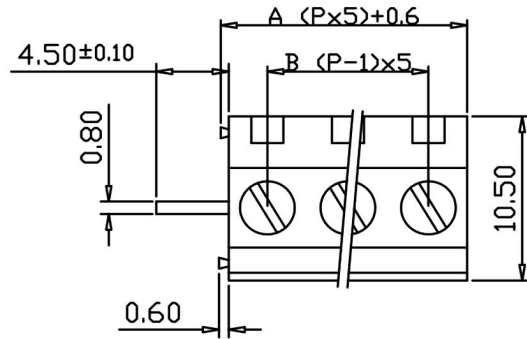
Wire Range: 16~22 AWG

Rated: 10 Amperes.AC250V

Operation Temperature: -55°C~+100°C

Insulation withstands volt: AC2000V min

Insulation resistance: >1000MΩ or more at DC500V



Tolerance ± 0.5

POLE	2	3
A	10.6	15.6
B	5	10

RoHS
Compliant

HSM 玄茂科技股份有限公司
HSUAN MAO TECHNOLOGY CO., LTD.

APPD.
核准
Betty
DATE 制表日
2017/04/14

SCALE
比例 参考
UNIT
單位 MM
PAGE
張數 1 OF 1

TOLERANCE
容許公差
.0 ±
.00 ±
ANG. ±
SIZE.
紙張尺寸 A 4
REV.
版次 C

PART NAME 品名
5.0mm TERMINAL BLOCK XXPIN GREEN
INSULATOR RIGHT ANGLE LEFT CONTACT
SUITABLE FOR 16~22AWG ROHS
PART NO.
料號 C0900-XXRLUTE0R