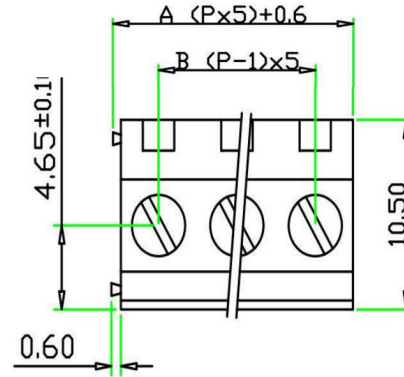


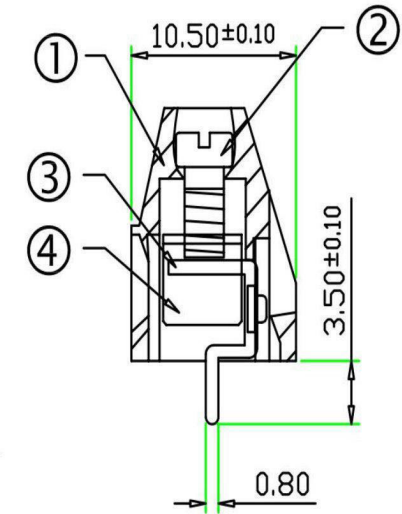
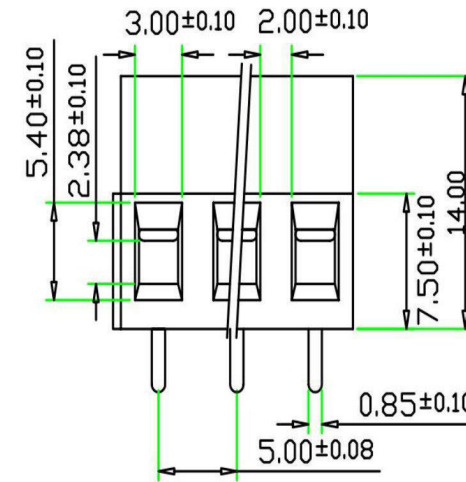
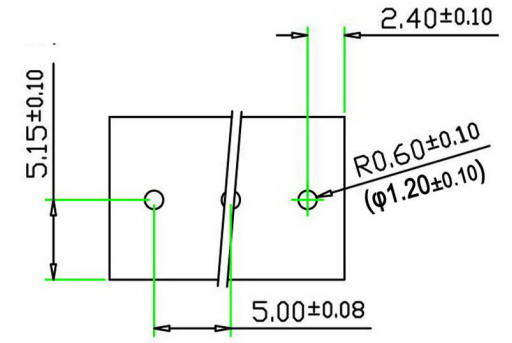
SPECIFICATIONS

- ① Housing Material: Polyamide 66(UL94V-0), Green
- ② Screw: M2.6 Zinc Plated Steel
- ③ Terminals: Tin Plated Brass
- ④ Wire Protector: Tin Plated Phosphor Bronze

Screws Torque: 3.5 In-Lb
 Wire Range: 16~22 AWG
 Rated: 10 Amperes.AC250V
 Operation Temperature: -55°C~+100°C
 Insulation withstands volt: AC2000V min
 Insulation resistance: >1000MΩ or more at DC500V



PCB LAYOUT



Tolerance ±0.5

POLE	2	3	4	5	6	7	8	9	10	11	12	13	14	15
A	10.6	15.6	20.6	25.6	30.6	35.6	40.6	45.6	50.6	55.6	60.6	65.6	70.6	75.6
B	5	10	15	20	25	30	35	40	45	50	55	60	65	70
POLE	16	17	18	19	20	21	22	23	24	25	26			
A	80.6	85.6	90.6	95.6	100.6	105.6	110.6	115.6	120.6	125.6	130.6			
B	75	80	85	90	95	100	105	110	115	120	125			

RoHS Compliant

HSM 玄茂科技股份有限公司
HSUAN MAO TECHNOLOGY CO., LTD.

APPD. 核准: **BETTY**
 DWG. 製圖: **Helen**
 DATE 制表日: **2013/4/16**

SCALE 比例: 參考
 UNIT 單位: **MM**
 PAGE 張數: **1 OF 1**

TOLERANCE 容許公差:
 .00 ±
 ANG. ±
 SIZE. 紙張尺寸: **A 4**
 REV. 版次: **E**
 PART NAME 品名:
 5.0mm PITCH PCB TERMINAL BLOCK
 STRAIGHT TYPE XXP SUITABLE FOR 16~22AWG
 GREEN INSULATOR ROHS
 PART NO. 料號: **C0900-XXS0UTE0R**