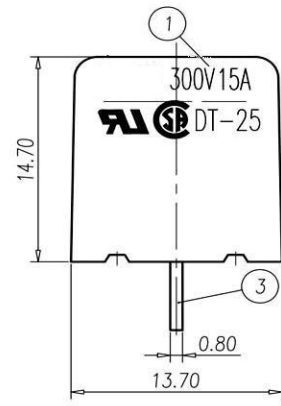
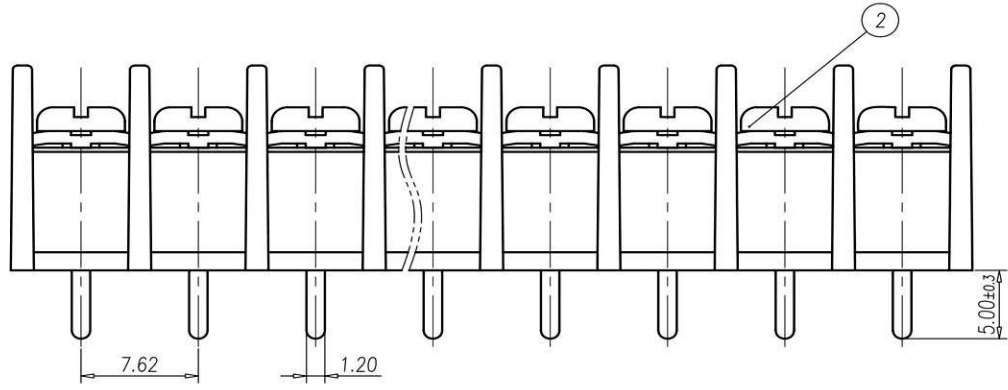


P.C.B. LAYOUT(REF)



NOTES:

1. Rating: 300V 15A
PITCH: 7.62mm
2. Insulation Withstands Voltage:
AC 2000V/MIN
3. Insulation Resistance:
500MΩ or more at DC500V
4. Using Temperature Range:
-40°C~+105°C
5. Screw Torque Value: 8kgf-cm
6. Suitable Electric Wire: AWG 22~14
7. RoHS Compliance

P	2	3	4	5	6	7	8	9	10	11	12	13	14	15	16	17
U	7.62	15.24	22.86	30.48	38.10	45.72	53.34	60.96	68.58	76.20	83.82	91.44	99.06	106.68	114.30	121.92
V	16.74	24.36	31.98	39.6	47.22	54.84	62.46	70.08	77.7	85.32	92.94	100.56	108.18	115.8	123.42	131.04
P	18	19	20	21	22	23	24	25	26	27	28	29	30	31	32	33
U	129.54	137.16	144.78	152.40	160.02	167.64	175.26	182.88	190.50	198.12	205.74	213.36	220.98	228.6	236.22	243.84
V	138.66	146.28	153.9	161.52	169.14	176.76	184.38	192.0	199.62	207.24	214.86	222.48	230.1	237.72	245.34	252.96

3	SOLDER PIN	COPPER ALLOY	Tin Plated
2	SCREW	STEEL	M3 Ni Plated
1	HOUSING	PA66	UL94-V0 Black
ITEM	NAME OF PART	MATERIAL	NOTES

Normal Geometric Tolerancing			
-	//	≡	⊥
0 to 100	0.2	0 to 10	0.2
over 100 to 150	0.3	over 10	0.3
over 150	0.5		
Total Pitch Tolerances		Normal dimension Tolerances	
0<U<=30	±0.20	0~30	±0.25
30<U<=53	±0.25	over 30~53	±0.30
53<U<=70	±0.30	over 53~70	±0.35
70<U<=90	±0.35	over 70~90	±0.44
90<U<=115	±0.44	over 90~115	±0.55
115<U<=150	±0.55	over 115~150	±0.70
150<U<=200	±0.70	over 150~200	±0.85
200<U<=250	±0.85	over 200~250	±1.00
250<U<=320	±1.00	over 250~320	±1.20

RoHS Compliant

HSM 玄茂科技股份有限公司
HSUAN MAO TECHNOLOGY CO., LTD.

APPD. 核准		TOLERANCE 容許公差	PART NAME 品名
DWG. 製圖	SCALE 比例 參考	0 ±	7.62 CENTER PIN TERMINAL BLOCK XXP 14-22AWG TIN PLATED BLACK ROHS
DATE 制表日	UNIT 單位 M M	ANG ±	
2012/9/18	PAGE 張數 1 OF 1	SIZE 紙張尺寸 A 4	PART NO. 料號
		REV. 版本 B	C0903-XXAAWTB0R