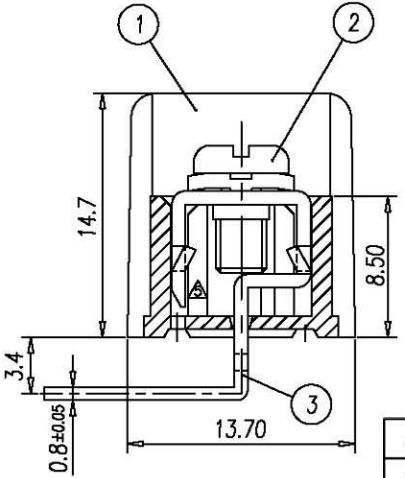


- NOTES:
1. Rating: 300V 15A  
PITCH: 7.62mm
  2. Insulation Withstands Voltage:  
AC 2000V/MIN
  3. Insulation Resistance:  
500MΩ or more at DC500V
  4. Using Temperature Range:  
-40°C~+105°C
  5. Screw Torque Value: 8 kg-cm
  6. Suitable Electric Wire: AWG 22~14
  7. Undimensioned Tolerances:

—	∩	∇	0.05/10
⊥	//	≡	0.2/10
PITCH ERROR			0.05/10
UNDIMENSIONED TOLERANCES			±0.3



ITEM	NAME OF PART	Q'TY	MATERIAL	NOTES
3	SOLDER PIN	P	BRASS	Tin Plated
2	SCREW	P	STEEL	M3x0.5
1	HOUSING	1	PA66(V0)	Black

P	2	3	4	5	6	7	8	9	10	11	12	13	14	15	16	17
U	7.62	15.24	22.86	30.48	38.10	45.72	53.34	60.96	68.58	76.20	83.82	91.44	99.06	106.68	114.30	121.92
V	16.74	24.36	31.98	39.6	47.22	54.84	62.46	70.08	77.7	85.32	92.94	100.56	108.18	115.8	123.42	131.04
P	18	19	20	21	22	23	24	25	26	27	28	29	30	31	32	33
U	129.54	137.16	144.78	152.40	160.02	167.64	175.26	182.88	190.50	198.12	205.74	213.36	220.98	228.6	236.22	243.84
V	138.66	146.28	153.9	161.52	169.14	176.76	184.38	192.0	199.62	207.24	214.86	222.48	230.1	237.72	245.34	252.96
Tolerances for PITCH ERROR																

RoHS  
Compliant

**HSM** 玄茂科技股份有限公司  
**HSUAN MAO TECHNOLOGY CO., LTD.**

APPD. 核准 Betty  
DWG. 製圖 Jolin  
DATE 制表日 2006/11/13

SCALE 比例 參考  
UNIT 單位 MM  
PAGE 張數 1 OF 1

TOLERANCE 容許公差  
0.00 ±  
0.05 ±  
0.10 ±  
0.15 ±  
0.20 ±  
0.30 ±  
0.40 ±  
0.50 ±  
0.60 ±  
0.70 ±  
0.80 ±  
0.90 ±  
1.00 ±  
1.20 ±  
1.50 ±  
2.00 ±  
2.50 ±  
3.00 ±  
4.00 ±  
5.00 ±  
6.00 ±  
8.00 ±  
10.00 ±  
12.00 ±  
15.00 ±  
20.00 ±  
25.00 ±  
30.00 ±  
40.00 ±  
50.00 ±  
60.00 ±  
80.00 ±  
100.00 ±  
120.00 ±  
150.00 ±  
200.00 ±  
250.00 ±  
300.00 ±  
400.00 ±  
500.00 ±  
600.00 ±  
800.00 ±  
1000.00 ±  
1200.00 ±  
1500.00 ±  
2000.00 ±  
2500.00 ±  
3000.00 ±  
4000.00 ±  
5000.00 ±  
6000.00 ±  
8000.00 ±  
10000.00 ±  
12000.00 ±  
15000.00 ±  
20000.00 ±  
25000.00 ±  
30000.00 ±  
40000.00 ±  
50000.00 ±  
60000.00 ±  
80000.00 ±  
100000.00 ±  
120000.00 ±  
150000.00 ±  
200000.00 ±  
250000.00 ±  
300000.00 ±  
400000.00 ±  
500000.00 ±  
600000.00 ±  
800000.00 ±  
1000000.00 ±  
1200000.00 ±  
1500000.00 ±  
2000000.00 ±  
2500000.00 ±  
3000000.00 ±  
4000000.00 ±  
5000000.00 ±  
6000000.00 ±  
8000000.00 ±  
10000000.00 ±  
12000000.00 ±  
15000000.00 ±  
20000000.00 ±  
25000000.00 ±  
30000000.00 ±  
40000000.00 ±  
50000000.00 ±  
60000000.00 ±  
80000000.00 ±  
100000000.00 ±  
120000000.00 ±  
150000000.00 ±  
200000000.00 ±  
250000000.00 ±  
300000000.00 ±  
400000000.00 ±  
500000000.00 ±  
600000000.00 ±  
800000000.00 ±  
1000000000.00 ±  
1200000000.00 ±  
1500000000.00 ±  
2000000000.00 ±  
2500000000.00 ±  
3000000000.00 ±  
4000000000.00 ±  
5000000000.00 ±  
6000000000.00 ±  
8000000000.00 ±  
10000000000.00 ±  
12000000000.00 ±  
15000000000.00 ±  
20000000000.00 ±  
25000000000.00 ±  
30000000000.00 ±  
40000000000.00 ±  
50000000000.00 ±  
60000000000.00 ±  
80000000000.00 ±  
100000000000.00 ±  
120000000000.00 ±  
150000000000.00 ±  
200000000000.00 ±  
250000000000.00 ±  
300000000000.00 ±  
400000000000.00 ±  
500000000000.00 ±  
600000000000.00 ±  
800000000000.00 ±  
1000000000000.00 ±  
1200000000000.00 ±  
1500000000000.00 ±  
2000000000000.00 ±  
2500000000000.00 ±  
3000000000000.00 ±  
4000000000000.00 ±  
5000000000000.00 ±  
6000000000000.00 ±  
8000000000000.00 ±  
10000000000000.00 ±  
12000000000000.00 ±  
15000000000000.00 ±  
20000000000000.00 ±  
25000000000000.00 ±  
30000000000000.00 ±  
40000000000000.00 ±  
50000000000000.00 ±  
60000000000000.00 ±  
80000000000000.00 ±  
100000000000000.00 ±  
120000000000000.00 ±  
150000000000000.00 ±  
200000000000000.00 ±  
250000000000000.00 ±  
300000000000000.00 ±  
400000000000000.00 ±  
500000000000000.00 ±  
600000000000000.00 ±  
800000000000000.00 ±  
1000000000000000.00 ±  
1200000000000000.00 ±  
1500000000000000.00 ±  
2000000000000000.00 ±  
2500000000000000.00 ±  
3000000000000000.00 ±  
4000000000000000.00 ±  
5000000000000000.00 ±  
6000000000000000.00 ±  
8000000000000000.00 ±  
10000000000000000.00 ±  
12000000000000000.00 ±  
15000000000000000.00 ±  
20000000000000000.00 ±  
25000000000000000.00 ±  
30000000000000000.00 ±  
40000000000000000.00 ±  
50000000000000000.00 ±  
60000000000000000.00 ±  
80000000000000000.00 ±  
100000000000000000.00 ±  
120000000000000000.00 ±  
150000000000000000.00 ±  
200000000000000000.00 ±  
250000000000000000.00 ±  
300000000000000000.00 ±  
400000000000000000.00 ±  
500000000000000000.00 ±  
600000000000000000.00 ±  
800000000000000000.00 ±  
1000000000000000000.00 ±  
1200000000000000000.00 ±  
1500000000000000000.00 ±  
2000000000000000000.00 ±  
2500000000000000000.00 ±  
3000000000000000000.00 ±  
4000000000000000000.00 ±  
5000000000000000000.00 ±  
6000000000000000000.00 ±  
8000000000000000000.00 ±  
10000000000000000000.00 ±  
12000000000000000000.00 ±  
15000000000000000000.00 ±  
20000000000000000000.00 ±  
25000000000000000000.00 ±  
30000000000000000000.00 ±  
40000000000000000000.00 ±  
50000000000000000000.00 ±  
60000000000000000000.00 ±  
80000000000000000000.00 ±  
100000000000000000000.00 ±  
120000000000000000000.00 ±  
150000000000000000000.00 ±  
200000000000000000000.00 ±  
250000000000000000000.00 ±  
300000000000000000000.00 ±  
400000000000000000000.00 ±  
500000000000000000000.00 ±  
600000000000000000000.00 ±  
800000000000000000000.00 ±  
1000000000000000000000.00 ±  
1200000000000000000000.00 ±  
1500000000000000000000.00 ±  
2000000000000000000000.00 ±  
2500000000000000000000.00 ±  
3000000000000000000000.00 ±  
4000000000000000000000.00 ±  
5000000000000000000000.00 ±  
6000000000000000000000.00 ±  
8000000000000000000000.00 ±  
10000000000000000000000.00 ±  
12000000000000000000000.00 ±  
15000000000000000000000.00 ±  
20000000000000000000000.00 ±  
25000000000000000000000.00 ±  
30000000000000000000000.00 ±  
40000000000000000000000.00 ±  
50000000000000000000000.00 ±  
60000000000000000000000.00 ±  
80000000000000000000000.00 ±  
100000000000000000000000.00 ±  
120000000000000000000000.00 ±  
150000000000000000000000.00 ±  
200000000000000000000000.00 ±  
250000000000000000000000.00 ±  
300000000000000000000000.00 ±  
400000000000000000000000.00 ±  
500000000000000000000000.00 ±  
600000000000000000000000.00 ±  
800000000000000000000000.00 ±  
1000000000000000000000000.00 ±  
1200000000000000000000000.00 ±  
1500000000000000000000000.00 ±  
2000000000000000000000000.00 ±  
2500000000000000000000000.00 ±  
3000000000000000000000000.00 ±  
4000000000000000000000000.00 ±  
5000000000000000000000000.00 ±  
6000000000000000000000000.00 ±  
8000000000000000000000000.00 ±  
10000000000000000000000000.00 ±  
12000000000000000000000000.00 ±  
15000000000000000000000000.00 ±  
20000000000000000000000000.00 ±  
25000000000000000000000000.00 ±  
30000000000000000000000000.00 ±  
40000000000000000000000000.00 ±  
50000000000000000000000000.00 ±  
60000000000000000000000000.00 ±  
80000000000000000000000000.00 ±  
100000000000000000000000000.00 ±  
120000000000000000000000000.00 ±  
150000000000000000000000000.00 ±  
200000000000000000000000000.00 ±  
250000000000000000000000000.00 ±  
300000000000000000000000000.00 ±  
400000000000000000000000000.00 ±  
500000000000000000000000000.00 ±  
600000000000000000000000000.00 ±  
800000000000000000000000000.00 ±  
1000000000000000000000000000.00 ±  
1200000000000000000000000000.00 ±  
1500000000000000000000000000.00 ±  
2000000000000000000000000000.00 ±  
2500000000000000000000000000.00 ±  
3000000000000000000000000000.00 ±  
4000000000000000000000000000.00 ±  
5000000000000000000000000000.00 ±  
6000000000000000000000000000.00 ±  
8000000000000000000000000000.00 ±  
10000000000000000000000000000.00 ±  
12000000000000000000000000000.00 ±  
15000000000000000000000000000.00 ±  
20000000000000000000000000000.00 ±  
25000000000000000000000000000.00 ±  
30000000000000000000000000000.00 ±  
40000000000000000000000000000.00 ±  
50000000000000000000000000000.00 ±  
60000000000000000000000000000.00 ±  
80000000000000000000000000000.00 ±  
100000000000000000000000000000.00 ±  
120000000000000000000000000000.00 ±  
150000000000000000000000000000.00 ±  
200000000000000000000000000000.00 ±  
250000000000000000000000000000.00 ±  
300000000000000000000000000000.00 ±  
400000000000000000000000000000.00 ±  
500000000000000000000000000000.00 ±  
600000000000000000000000000000.00 ±  
800000000000000000000000000000.00 ±  
1000000000000000000000000000000.00 ±  
1200000000000000000000000000000.00 ±  
1500000000000000000000000000000.00 ±  
2000000000000000000000000000000.00 ±  
2500000000000000000000000000000.00 ±  
3000000000000000000000000000000.00 ±  
4000000000000000000000000000000.00 ±  
5000000000000000000000000000000.00 ±  
6000000000000000000000000000000.00 ±  
8000000000000000000000000000000.00 ±  
10000000000000000000000000000000.00 ±  
12000000000000000000000000000000.00 ±  
15000000000000000000000000000000.00 ±  
20000000000000000000000000000000.00 ±  
25000000000000000000000000000000.00 ±  
30000000000000000000000000000000.00 ±  
40000000000000000000000000000000.00 ±  
50000000000000000000000000000000.00 ±  
60000000000000000000000000000000.00 ±  
80000000000000000000000000000000.00 ±  
100000000000000000000000000000000.00 ±  
120000000000000000000000000000000.00 ±  
150000000000000000000000000000000.00 ±  
200000000000000000000000000000000.00 ±  
250000000000000000000000000000000.00 ±  
300000000000000000000000000000000.00 ±  
400000000000000000000000000000000.00 ±  
500000000000000000000000000000000.00 ±  
600000000000000000000000000000000.00 ±  
800000000000000000000000000000000.00 ±  
1000000000000000000000000000000000.00 ±  
1200000000000000000000000000000000.00 ±  
1500000000000000000000000000000000.00 ±  
2000000000000000000000000000000000.00 ±  
2500000000000000000000000000000000.00 ±  
3000000000000000000000000000000000.00 ±  
4000000000000000000000000000000000.00 ±  
5000000000000000000000000000000000.00 ±  
6000000000000000000000000000000000.00 ±  
8000000000000000000000000000000000.00 ±  
10000000000000000000000000000000000.00 ±  
12000000000000000000000000000000000.00 ±  
15000000000000000000000000000000000.00 ±  
20000000000000000000000000000000000.00 ±  
25000000000000000000000000000000000.00 ±  
30000000000000000000000000000000000.00 ±  
40000000000000000000000000000000000.00 ±  
50000000000000000000000000000000000.00 ±  
60000000000000000000000000000000000.00 ±  
80000000000000000000000000000000000.00 ±  
100000000000000000000000000000000000.00 ±  
120000000000000000000000000000000000.00 ±  
150000000000000000000000000000000000.00 ±  
200000000000000000000000000000000000.00 ±  
250000000000000000000000000000000000.00 ±  
300000000000000000000000000000000000.00 ±  
400000000000000000000000000000000000.00 ±  
500000000000000000000000000000000000.00 ±  
600000000000000000000000000000000000.00 ±  
800000000000000000000000000000000000.00 ±  
1000000000000000000000000000000000000.00 ±  
1200000000000000000000000000000000000.00 ±  
1500000000000000000000000000000000000.00 ±  
2000000000000000000000000000000000000.00 ±  
2500000000000000000000000000000000000.00 ±  
3000000000000000000000000000000000000.00 ±  
4000000000000000000000000000000000000.00 ±  
5000000000000000000000000000000000000.00 ±  
6000000000000000000000000000000000000.00 ±  
8000000000000000000000000000000000000.00 ±  
10000000000000000000000000000000000000.00 ±  
12000000000000000000000000000000000000.00 ±  
15000000000000000000000000000000000000.00 ±  
20000000000000000000000000000000000000.00 ±  
25000000000000000000000000000000000000.00 ±  
30000000000000000000000000000000000000.00 ±  
40000000000000000000000000000000000000.00 ±  
50000000000000000000000000000000000000.00 ±  
60000000000000000000000000000000000000.00 ±  
80000000000000000000000000000000000000.00 ±  
1