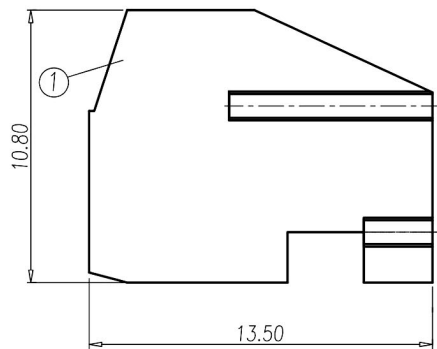
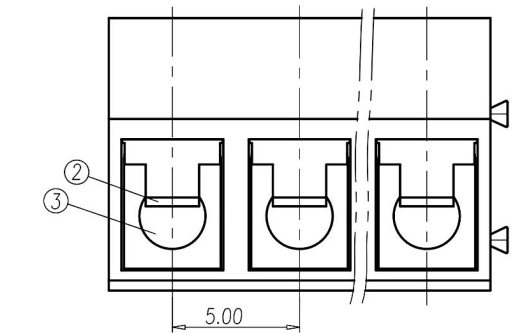
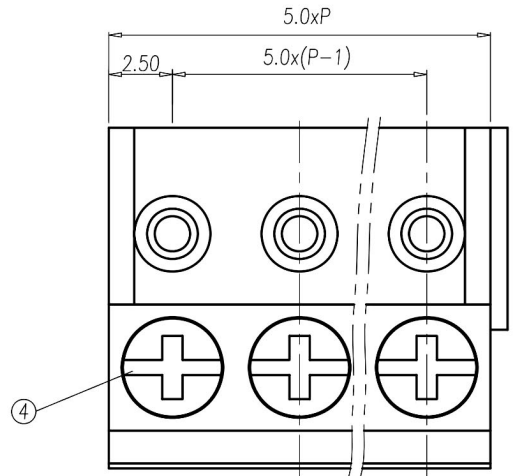


1 2 3 4 5 6 7 8

A
B
C
D
E
F
G
H

A
B
C
D
E
F
G
H



NOTES 1:

UL Standard :

- 1.Rating: 300V 7A
- 2.Insulation Withstands Voltage:
AC 2000V at 1 minute
- 3.Using Temperature Range:
-40°C~+115°C
- 4.Screw Torque Value: 0.31N·m
- 5.Suitable Electric Wire: AWG 22~14

IEC Standard:

- 1.Rate Impulse Voltage: 2000V
- 2.Insulation Resistance:
1000MΩ or more at DC500V

Normal Geometric Tolerancing				
	-	//	≡	⊥
0 to 100	0.2		0.3	0 to 10 0.2
over 100 to 150	0.3			over 10 0.3
over 150	0.5			
Total Pitch Tolerances		Normal dimension Tolerances		
0<U≤30	±0.20	0~30	±0.25	
30<U≤53	±0.25	over 30~53	±0.30	
53<U≤70	±0.30	over 53~70	±0.35	
70<U≤90	±0.35	over 70~90	±0.44	
90<U≤115	±0.44	over 90~115	±0.55	
115<U≤150	±0.55	over 115~150	±0.70	
150<U≤200	±0.70	over 150~200	±0.85	
200<U≤250	±0.85	over 200~250	±1.00	
250<U≤320	±1.00	over 250~320	±1.20	

4	SCREW	STEEL	Zn Plated
3	WIRE CAGE	COPPER-ALLOY	Ni Plated
2	CLAMP	BRONZE	Tin Plated
1	HOUSING	PBT	UL94-V0 BLUE
		PBT	UL94-V0 BLUE
ITEM	NAME OF PART	MATERIAL	NOTES

RoHS
Compliant

HSM 玄茂科技股份有限公司
HSUAN MAO TECHNOLOGY CO., LTD.

APPD. 核准
DWG. 製圖
DATE 制表日
2017/04/14

SCALE 比例 參考
UNIT 單位 M M
PAGE 張數 1 OF 1

TOLERANCE 容許公差
.0 ±
.00 ±
ANG. ±
SIZE. 紙張尺寸 A 4
REV. 版次 B

PART NAME 品名
5.0mm TERMINAL BLOCK WIRE CAGE TYPE
SUITABLE FOR 14~22AWG XXPIN NICKEL PLATED
BLUE COLOR "+" TYPE SCREW ROHS

PART NO.
料號 C0904-XXWOWNL0R

1 2 3 4 5 6 7 8