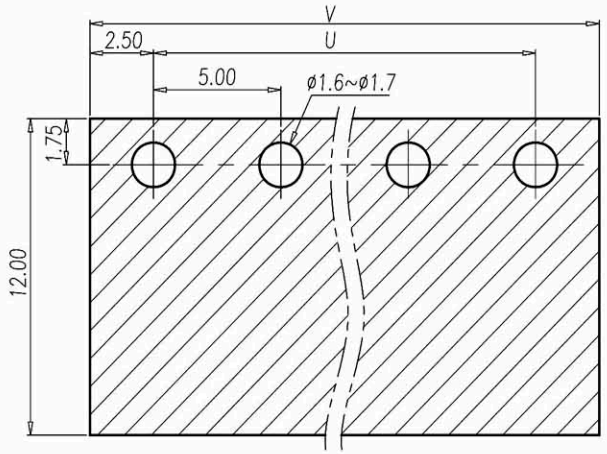


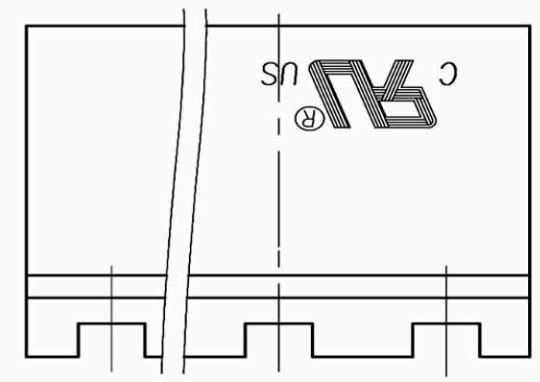
1 2 3 4 5 6 7 8

A



P.C.B. LAYOUT(REF)

NOTES 1:  
 UL Standard :  
 1. Rating: 300V 15A  
 2. Insulation Withstands Voltage:  
 AC 2000V at 1 minute  
 3. Using Temperature Range:  
 -40°C~+115°C  
 IEC Standard :  
 Rating: 600V 18A  
 2. Rate Impulse Voltage: 4000V  
 3. Insulation Resistance:  
 500MΩ or more at DC500V  
 4. Material Group : I  
 5. Pollution Degree : 2  
 6. Overvoltage Category: II  
 7. Using Temperature Range:  
 -40°C~+110°C

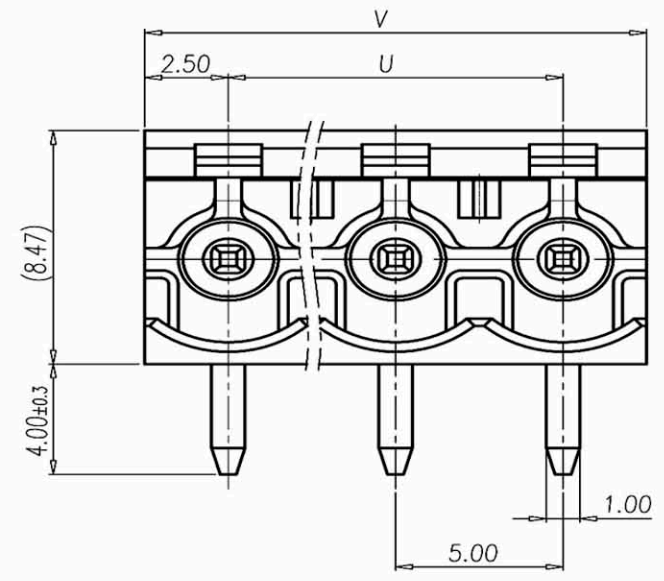
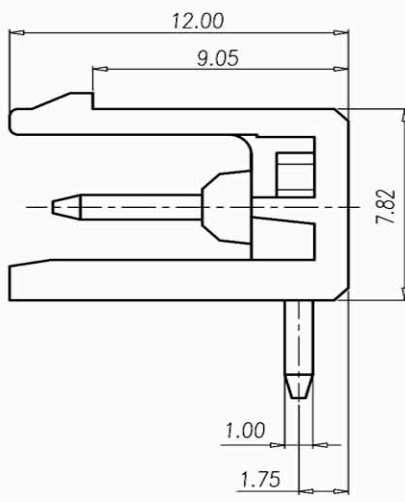


B

C

D

P	2	3	4	5	6	7	8	9	10	11	12	13
U	5.00	10.00	15.00	20.00	25.00	30.00	35.00	40.00	45.00	50.00	55.00	60.00
V	10.00	15.00	20.00	25.00	30.00	35.00	40.00	45.00	50.00	55.00	60.00	65.00
P	14	15	16	17	18	19	20	21	22	23	24	
U	65.00	70.00	75.00	80.00	85.00	90.00	95.00	100.00	105.00	110.00	115.00	
V	70.00	75.00	80.00	85.00	90.00	95.00	100.00	105.00	110.00	115.00	120.00	



E

F

G

H

Normal Geometric Tolerancing			
—	//	≡	⊥
0 to 100	0.2	0.3	0 to 10
over 100 to 150	0.3		0.2
over 150	0.5		0.3
Total Pitch Tolerances		Normal Dimension Tolerances	
0~30	±0.20	0~30	±0.25
over 30~53	±0.25	over 30~53	±0.30
over 53~70	±0.30	over 53~70	±0.35
over 70~90	±0.35	over 70~90	±0.44
over 90~115	±0.44	over 90~115	±0.55
over 115~150	±0.55	over 115~150	±0.70
over 150~200	±0.70	over 150~200	±0.85
over 200~250	±0.85	over 200~250	±1.00
over 250~320	±1.00	over 250~320	±1.20

2	SOLDER PIN	COPPER ALLOY	Tin Plated
1	HOUSING	PA	UL94-V0 GREEN
ITEM	NAME OF PART	MATERIAL	NOTES

RoHS Compliant

APPD. 核准  
 DWG. 製圖  
 DATE 制表日  
 2016/5/3

Helen

**HSM** 玄茂科技股份有限公司  
**HSUAN MAO TECHNOLOGY CO., LTD.**

TOLERANCE 容許公差 0 ± 0.35 .00 ± 0.25 ANG. ± 3°	PART NAME 品名 5.0mm TERMINAL BLOCK PCB TYPE XXP 90° GREEN COLOR TWO COVERS & WITHOUT SCREWS ROHS
SCALE 比例 UNIT 單位 PAGE 張數 1 OF 1	PART NO. 料號 C0906-XXRTEN00R

1 2 3 4 5 6 7 8