

A

B

C

D

E

F

G

H

A

B

C

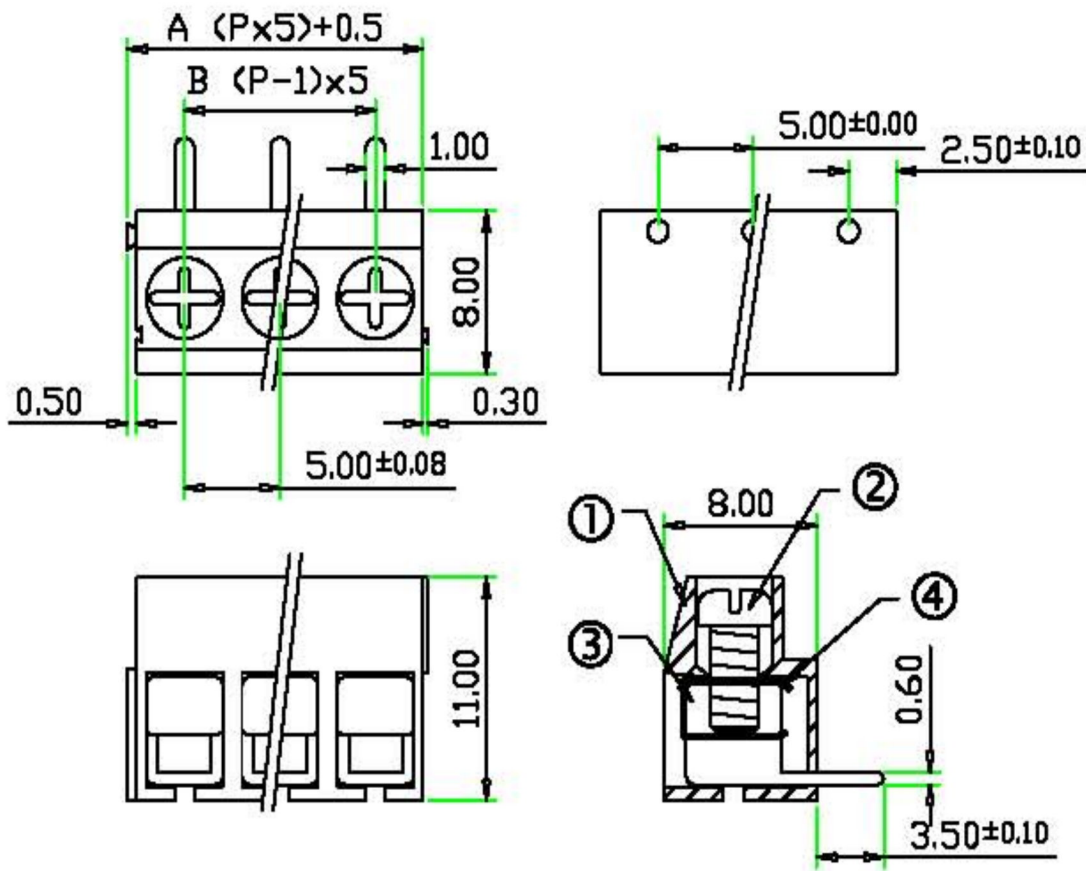
D

E

F

G

H



SPECIFICATIONS

- ① Housing Material: Polyamide 66(UL94V-0), Green
- ② Screw: M2.6 Nickel Plated Steel
- ③ Terminals: Tin Plated Brass
- ④ Wire Protector: Stainless Strip Steel

Screws Torque: 3.5 In-Lb
 Wire Range: 12~24 AWG
 Rated: 20 Amperes.AC250V
 Operation Temperature: -55°C~+100°C
 Insulation withstands volt: AC2000V min
 Insulation resistance: >1000MΩ or more at DC500V

Tolerance ±0.5

POLE	2	3	4	5	6	7	8	9	10	11	12	13	14	15
A	10.5	15.5	20.5	25.5	30.5	35.5	40.5	45.5	50.5	55.5	60.5	65.5	70.5	75.5
B	5	10	15	20	25	30	35	40	45	50	55	60	65	70
POLE	16	17	18	19	20	21	22	23	24	25	26			
A	80.5	85.5	90.5	95.5	100.5	105.5	110.5	115.5	120.5	125.5	130.5			
B	75	80	85	90	95	100	105	110	115	120	125			

RoHS Compliant		HSM 玄茂科技股份有限公司 HSUAN MAO TECHNOLOGY CO., LTD.	
APPD. 核准 Angel		TOLERANCE 容許公差 .0 ± .00 ± ANG. ±	PART NAME 品名 5.0mm TERMINAL BLOCK XXPIN SUITABLE FOR 12~24AWG GREEN INSULATOR RIGHT ANGLE ROHS LOW-LEAD
DWG. 製圖 Yumi	SCALE 比例 參考	UNIT 單位 M M PAGE 張數 1 OF 1	PART NO. 料號 C0907-XXR5TE00R
DATE 製表日 2010/04/15		REV. 版次 A	