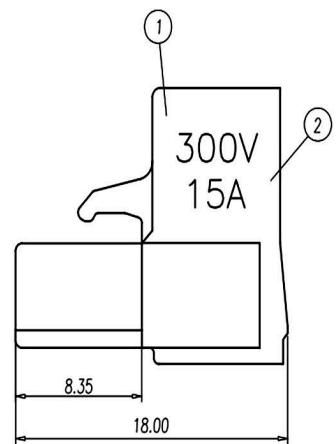
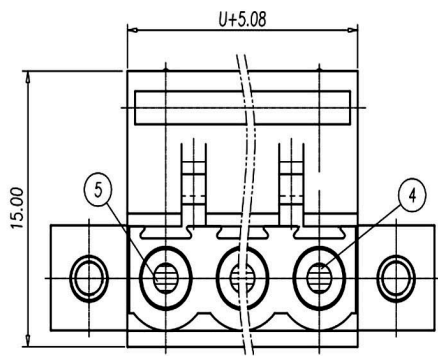
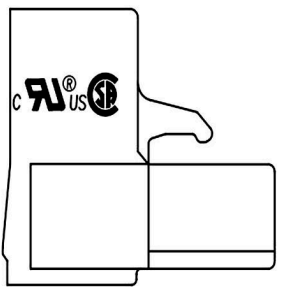


注:  
2P~6P A±0.10  
7P~15P A±0.17  
16P~24P A±0.25

P	2	3	4	5	6	7	8	9	10	11	12	13
U	5.08	10.16	15.24	20.32	25.40	30.48	35.56	40.64	45.72	50.80	55.88	60.96
V	20.32	25.40	30.48	35.56	40.64	45.72	50.80	55.88	60.96	66.04	71.12	76.20
P	14	15	16	17	18	19	20	21	22	23	24	
U	66.04	71.12	76.20	81.28	86.36	91.44	96.52	101.60	106.68	111.76	116.84	
V	81.28	86.36	91.44	96.52	101.60	106.68	111.76	116.84	121.92	127.0	132.08	

NOTES:

- Rating: 300V 15A(IEC 600V 18A)  
PITCH: 5.08mm
- Insulation Withstands Voltage:  
AC 2000 V at 1 minute
- Insulation Resistance:  
500MΩ or more at DC500V
- Using Temperature Range:  
-40°C~+105°C
- Screw Torque Value: 0.5N·m
- Suitable Electric Wire:  
AWG 28~12(sol) 30~12(str)  
IEC: 0.2~4mm<sup>2</sup> (sol) 0.2~2.5mm<sup>2</sup> (str)
- RoHS Compliance



5	CLAMP	COPPER ALLOY	Tin Plated
4	WIRE CAGE	STEEL	Zn Plated
3	SCREW	STEEL	M2.5 Zn Plated
2	END COVER	PA66	UL94-V0 GREEN
1	HOUSING	PA66	UL94-V0 GREEN
ITEM	NAME OF PART	MATERIAL	NOTES

Normal Geometric Tolerancing			
-	//	≡	⊥
0 to 100	0.2	0 to 10	0.2
over 100 to 150	0.3	over 10	0.3
over 150	0.5		
Total Pitch Tolerances		Normal dimension Tolerances	
0<U<=30	±0.20	0~30	±0.25
30<U<=53	±0.25	over 30~53	±0.30
53<U<=70	±0.30	over 53~70	±0.35
70<U<=90	±0.35	over 70~90	±0.44
90<U<=115	±0.44	over 90~115	±0.55
115<U<=150	±0.55	over 115~150	±0.70

RoHS Compliant APPD. 核准 DWG. 製圖 Betty DATE 制表日 2016/06/28	 SCALE 比例 參考 UNIT 單位 M M PAGE 張數 1 OF 1	 玄茂科技股份有限公司 HSUAN MAO TECHNOLOGY CO., LTD. PART NAME 品名 5.08mm TERMINAL BLOCK XXPIN WIRE CAGE TYPE SUITABLE FOR 12~28AWG TIN PLATED GREEN INSULATOR SCREWS ZINC PLATING WITH EARS(W/ SCREWS HOLE) ROHS PART NO. 料號 C0910-XXVTEY00R