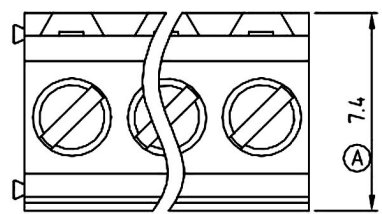


1 2 3 4 5 6 7 8

A
B
C
D
E
F
G
H

A
B
C
D
E
F
G
H



N = Number of poles
 Dim A = N x 3.5
 Dim B = (N - 1) x 3.5

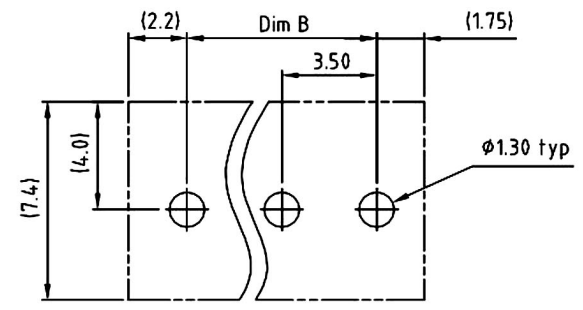
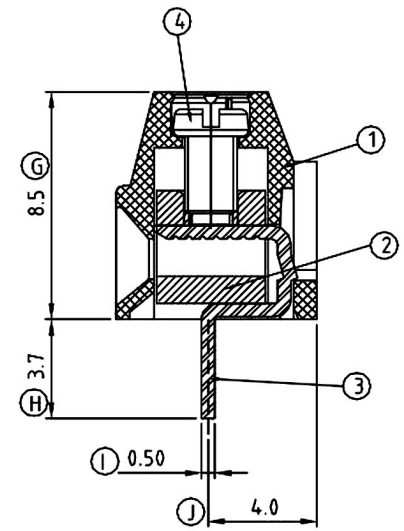
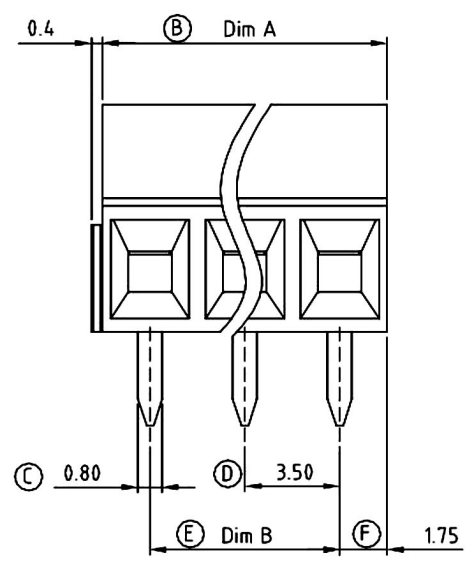
Poles	Dim A	Dim B
2-6p	±0.15	±0.15
7-12p	±0.25	±0.25
13-18p	±0.35	±0.35
19-24p	±0.40	±0.40

Material:

- Item 1 Terminal housing : Thermoplastic (UL 94V-0)
- Item 2 Clamp : Brass, Ni plated
- Item 3 Wire guard solder pin : Brass, Tin plated
- Item 4 Terminal screw : Steel Zinc plating " - " slot type

△ Electrical cULus / TUV

- Voltage rating: 300V / 300V
- Current rating: 10A / 12A
- Wire range: 0.2~1.5mm²
- Solid wire(AWG): 16-24
- Stranded wire(AWG): 16-24
- △ ● Torque: 1.7 Lb-In / 0.2Nm (stackable type: 1.5Kgf-cm)
- Screw: M2
- Wire strip length: 5-6mm
- Withstanding Voltage: 1.6KV / 1.25KV
- Operating temperature: -40°C to +115°C
- △ ● Soldering temperature: 250°C ± 10°C / 5 Sec



P.C.B. LAYOUT

RoHS Compliant		玄茂科技股份有限公司 HSUAN MAO TECHNOLOGY CO., LTD.	
APPD. 核准	TOLERANCE X. ±0.50 X.X ±0.30 X.XX ±0.10 X* ±1°	PART NAME 品名	
DWG. 製圖		3.5mm TERMINAL BLOCK XXPIN STRAIGHT H=8.6mm 16-24AWG TIN PLATED GREEN INSULATOR ROHS	
DATE 制表日	SCALE 比例 參考	UNIT 單位	PART NO.
2018/01/19	UNIT 單位 M M	PAGE 張數 1 OF 1	料號 C0914-XXS3TE00R

1 2 3 4 5 6 7 8