

A

B

C

D

E

F

G

H

A

B

C

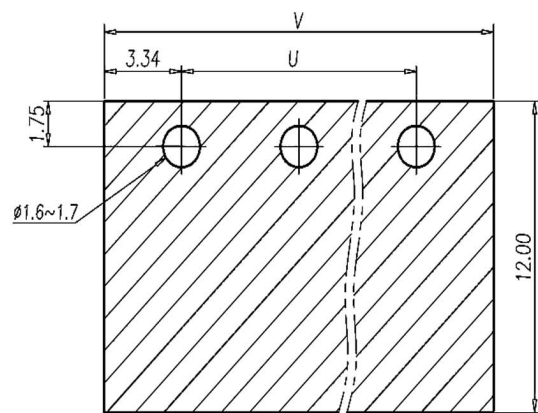
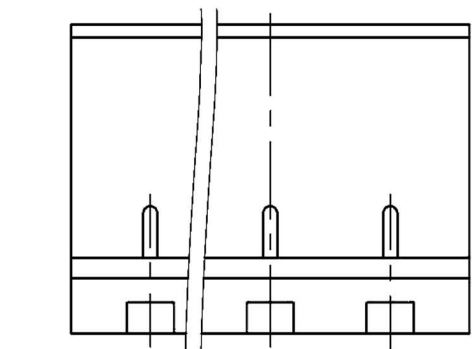
D

E

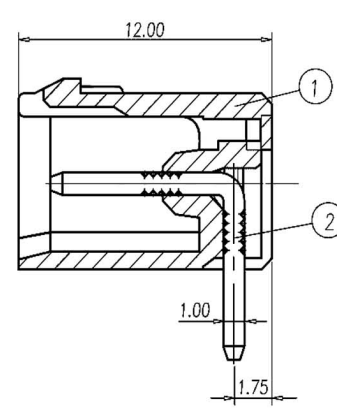
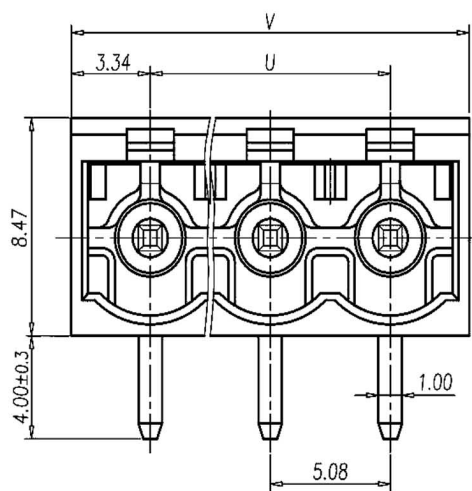
F

G

H



P.C.B. LAYOUT(REF)



NOTES:

1. Rating: 300V 15A(IEC 250V 17.5A)
PITCH: 5.08mm
2. Insulation Withstands Voltage:
AC 2000V at 1 minute
3. Insulation Resistance:
500MΩ or more at DC500V
4. Using Temperature Range:
-40°C~+105°C
5. RoHS Compliance

Normal Geometric Tolerancing				
	-	//	≡	⊥
0 to 100	0.2		0.3	0 to 10
over 100 to 150	0.3			over 10
over 150	0.5			0.3
Total Pitch Tolerances		Normal dimension Tolerances		
0<U≤30	±0.20	0~30	±0.25	
30<U≤53	±0.25	over 30~53	±0.30	
53<U≤70	±0.30	over 53~70	±0.35	
70<U≤90	±0.35	over 70~90	±0.44	
90<U≤115	±0.44	over 90~115	±0.55	
115<U≤150	±0.55	over 115~150	±0.70	
150<U≤200	±0.70	over 150~200	±0.85	
200<U≤250	±0.85	over 200~250	±1.00	
250<U≤320	±1.00	over 250~320	±1.20	

2	SOLDER PIN	COPPER ALLOY	Tin Plated
1	HOUSING	PA66	UL94-V0 GREEN
ITEM	NAME OF PART	MATERIAL	NOTES

RoHS Compliant

HSM 玄茂科技股份有限公司
HSUAN MAO TECHNOLOGY CO., LTD.

APPD. 核准 Betty	SCALE 比例 参考	TOLERANCE 容許公差 .0 ± 0.30 .00 ± 0.20 ANG. ± 3°	PART NAME 品名 5.08mm TERMINAL BLOCK PCB TYPE XXP RIGHT ANGLE TYPE FOUR COVERS(CLOSE TYPE) & WITHOUT SCREWS GREEN COLOR ROHS
DWG. 製圖 Betty			
DATE 制表日 2013/01/23	PAGE 張數 1 OF 1	REV. 版次 A	PART NO. 料號 C0920-XXRTEC00R

P	2	3	4	5	6	7	8	9	10	11	12	13
U	5.08	10.16	15.24	20.32	25.4	30.48	35.56	40.64	45.72	50.8	55.88	60.96
V	11.76	16.84	21.92	27	32.08	37.16	42.24	47.32	52.4	57.48	62.56	67.64
P	14	15	16	17	18	19	20	21	22	23	24	25
U	66.04	71.12	76.2	81.28	86.36	91.44	96.52	101.6	106.68	111.76	116.84	121.92
V	72.72	77.8	82.88	87.96	93.04	98.12	103.2	108.28	113.36	118.44	123.52	128.6