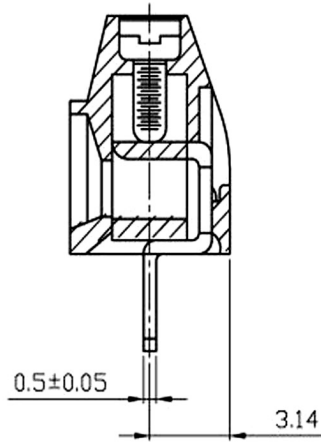
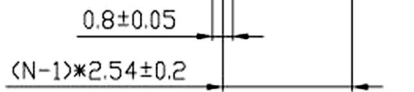
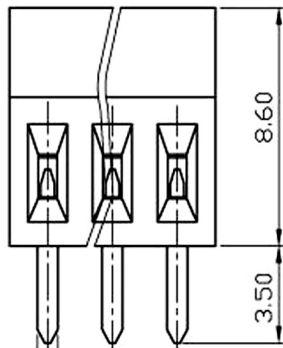
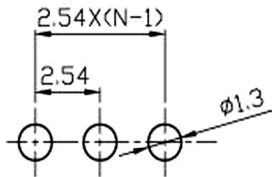


N:NUMBER OF CONTACTS



SECTION A-A



RECOMMEND PCB LAYOUT (TOLERANCE+±0.05)

- MATERIAL
 SCREWS : M1.5 STEEL ZINC PLATED
 CONTACT : BRASS ,NI PLATED
 PIN HEADER : BRASS, TIN PLATED
 HOUSING : PA66, UL94V-0
- ELECTRICAL
 RATED VOLTAGE : 300V
 RATED CURRENT : 6A
 CONTACT RESISTANCE : 20mΩ
 INSULATION RESISTANCE : 5000MΩ/1000V
 WITHSTANDING VOLTAGE : AC2000V/1Min
 WIRE RANGE : 26-18AWG 1mm²
- MECHANICAL
 TEMP.RANGE : -40℃~+105℃
 MAX SOLDERING : +250℃, FOR 5 SEC.
 TORQUE : 0.15Nm(1.3Lb.in)
 STRIP LENGTH: 3.7-4.7mm

RoHS Compliant		HSM 玄茂科技股份有限公司 HSUAN MAO TECHNOLOGY CO., LTD.	
APPD. 核准	BETTY	 SCALE 比例 参考	GENERAL TOLERANCE X: ±0.60 .XX: ±0.38 .XX: ±0.25
DWG. 製圖	BETTY		ANGLE TOLERANCE X: ±5° .X: ±3° .XX: ±2°
DATE 制表日	2009/09/09	UNIT 單位	M M
		PAGE 張數	1 OF 1
		SIZE 紙張尺寸	A 4
		REV. 版次	A
		PART NAME 品名 2.54mm TERMINAL BLOCK XXP STRAIGHT TYPE SUITABLE FOR 18~26AWG TIN PLATED GREEN COLOR	
		PART NO. 料號 C0929-XXSFTE00R	