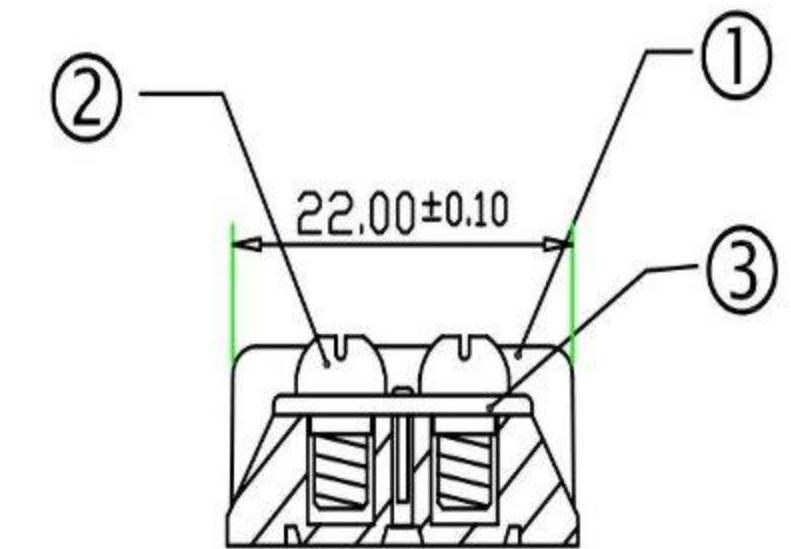
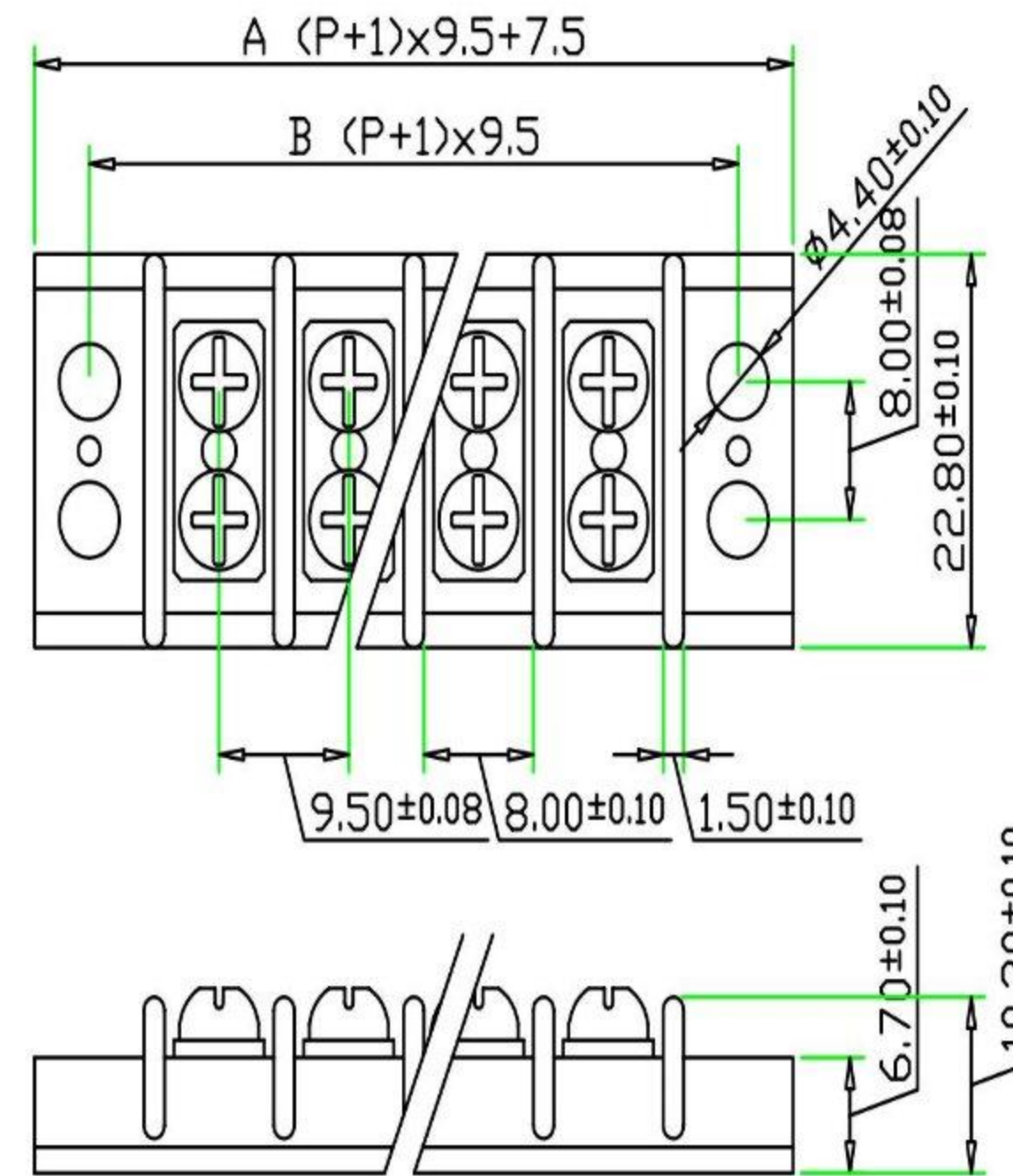


SPECIFICATIONS

- ① Housing Material: Phenolic , Black
- ② Screw: M3.5 Nickel Plated Steel
- ③ Terminals: Tin Plated Brass

Screws Torque: 12 In-Lb
 Wire Range: 14~18 WG
 Rated: 10 Amperes.AC250V
 Operation Temperature: -55°C~+150°C
 Insulation withstands volt: AC2000V min
 Insulation resistance: >1000MΩ or more at DC500V



Tolerance ± 0.5

POLE	2	3	4	5	6	7	8	9	10	11	12	13	14	15
A	36	45.5	55	64.5	74	83.5	93	102.5	112	121.5	131	140.5	150	159.5
B	28.5	38	47.5	57	66.5	76	85.5	95	104.5	114	123.5	133	142.5	152
POLE	16	17	18	19	20	21	22	23	24					
A	169	178.5	188	197.5	207	216.5	226	235.5	245					
B	161.5	171	180.5	190	199.5	209	218.5	228	237.5					

RoHS Compliant		HSM 玄茂科技股份有限公司 HSUAN MAO TECHNOLOGY CO., LTD.	
APPD. 核准 BETTY		TOLERANCE 容許公差 .0 ± .00 ± ANG. ±	PART NAME 品名 9.5mm DOUBLE ROW PHENOLIC TYPE TERMINAL BLOCK H=10.2mm 2*XXP SUITABLE FOR 14~18AWG TIN PLATING BLACK INSULATOR ROHS
DWG. 製圖 KAREN	SCALE 比例 參考	UNIT 單位 MM	SIZE 紙張尺寸 A4
DATE 制表日 2013/06/25	PAGE 張數 1 OF 1	REV. 版本 B	PART NO. 料號 C0931-XXAATB00R