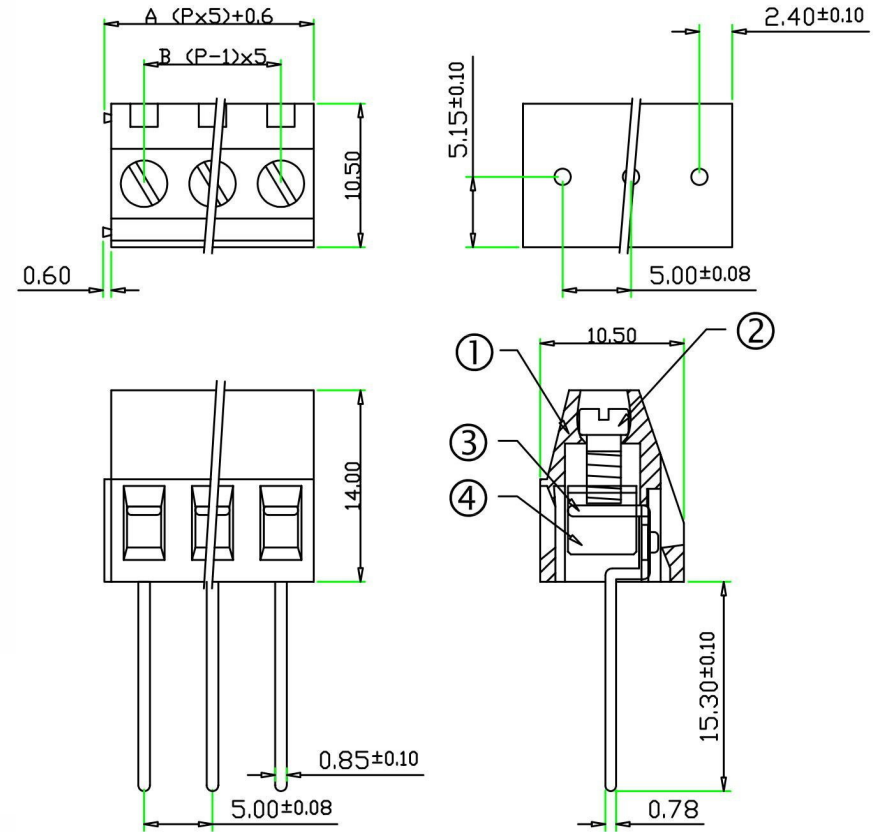


SPECIFICATIONS

- ① Housing Material: Polyamide 66(UL94V-0), Green
- ② Screw: M2.6 Nickel Plated Steel
- ③ Terminals: Tin Plated Brass
- ④ Wire Protector: Nickel Plated Phosphor Bronze

Screws Torque: 3.5 In-Lb
 Wire Range: 12~24 AWG
 Rated: 20 Amperes.AC250V
 Operation Temperature: -55°C~+100°C
 Insulation withstands volt: AC2000V min
 Insulation resistance: >1000MΩ or more at DC500V



Tolerance ± 0.5

POLE	2	3	4	5	6	7	8	9	10	11	12	13	
A	10.6	15.6	20.6	25.6	30.6	35.6	40.6	45.6	50.6	55.6	60.6	65.6	
B	5	10	15	20	25	30	35	40	45	50	55	60	
POLE	14	15	16	17	18	19	20	21	22	23	24	25	26
A	70.6	75.6	80.6	85.6	90.6	95.6	100.6	105.6	110.6	115.6	120.6	125.6	130.6
B	65	70	75	80	85	90	95	100	105	110	115	120	125

APPD. 核准 Betty DWG. 製圖 Yumi DATE 制表日 2010/06/23		RoHS Compliant SCALE 比例 參考 UNIT 單位 M M PAGE 張數 1 OF 1		TOLERANCE 容許公差 .0 ± .00 ± ANG. ± SIZE. 紙張尺寸 A 4 REV. 版次 A		PART NAME 品名 5.0mm TERMINAL BLOCK PCB TYPE H:14.0mm XXP STRAIGHT TYPE SUITABLE FOR 12~24AWG NICKEL PLATING GREEN COLOR PIN LENGTH=14.0mm ROHS PART NO. 料號 C0933-XXS5NAE0R	
---	--	--	--	--	--	---	--

HSM 玄茂科技股份有限公司
HSUAN MAO TECHNOLOGY CO., LTD.