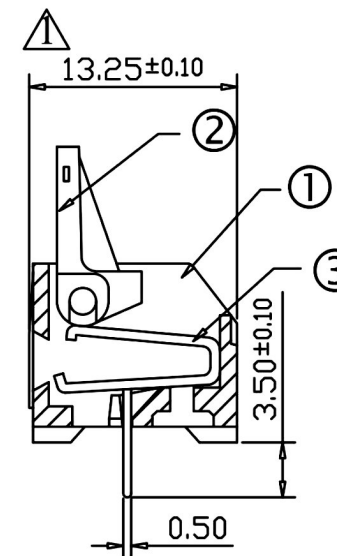
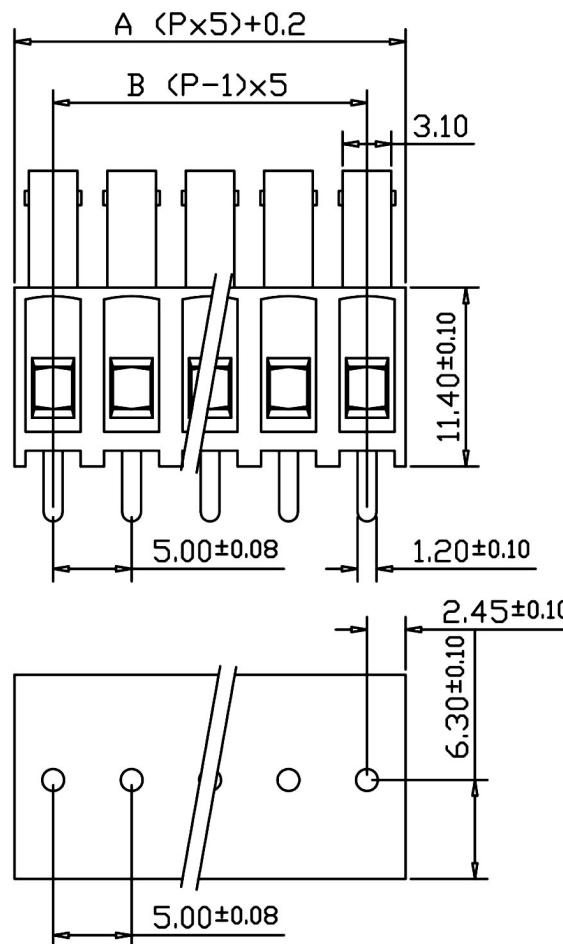


SPECIFICATIONS

- ① Housing Material: PBT (UL94V-0), Green
- ② Lever Material : Polyamide 66 (UL94V-0), White
- ③ Terminals: Tin Plated Brass

Wire Range: 18~22 AWG
 Rated: 11 Amperes.AC250V
 Operation Temperature: -55°C~+100°C
 Insulation withstands volt: AC2000V min
 Insulation resistance: >1000MΩ or more at DC500V



Tolerance ± 0.50

POLE	02	03	04	05	06	07	08	09	10	11	12	
A	10.2	15.2	20.2	25.2	30.2	35.2	40.2	45.2	50.2	55.2	60.2	
B	5	10	15	20	25	30	35	40	45	50	55	
POLE	13	14	15	16	17	18	19	20	21	22	23	24
A	65.2	70.2	75.2	80.2	85.2	90.2	95.2	100.2	105.2	110.2	115.2	120.2
B	60	65	70	75	80	85	90	95	100	105	110	115

APPD. 核准 HELEN DWG. 製圖 ABBY DATE 制表日 2018/05/16		RoHS Compliant HSM 玄茂科技股份有限公司 HSUAN MAO TECHNOLOGY CO., LTD.		TOLERANCE 容許公差 .0 ± .00 ± ANG. ± SIZE. 紙張尺寸 A4 REV. 版次 B		PART NAME 品名 5.0mm TERMINAL BLOCK PCB TYPE H:25.4mm XXP STRAIGHT TYPE SUITABLE FOR16~22AWG TIN PLATING GREEN COLOR ROHS PART NO. 料號 C0935-XXSDTE00R	
SCALE 比例 參考 UNIT 單位 M M PAGE 張數 1 OF 1							