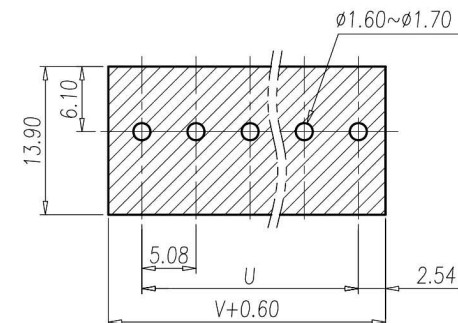


NOTES 1:

- UL Standard :
- 1.Rating: 300V 20A
- 2.Insulation Withstands Voltage:
AC 2000 V at 1 minute
- 3.Using Temperature Range:
-40°C~+115°C
- 4.Screw Torque Value:0.5N·m
- 5.Suitable Electric Wire:AWG 24~12



PCB LAYOUT

NOTES 2:

- 1. RoHS compliance
- 2.Strip Length:7~8mm
- 3.Pole sizes 02-03 are single piece housing
Pole sizes 04-25 are assembled housing

ITEM	NAME OF PART	MATERIAL	NOTES
4	SCREW	STEEL	Zn plated
3	WIRE CAGE	STEEL	Zn plated
2	SOLDER PIN	COPPER ALLOY	Tin Plated
1	HOUSING	PA	UL94-V0 GREEN

IEC Standard:

- 1.Rating: 250V 24A
- 2. Rate Impulse Voltage: 4000V
- 3.Insulation Resistance:
500MΩ or more at DC500V
- 4. Material Group : I
- 5. Pollution Degree : 2
- 6. Overvoltage Category: III
- 7. Using Temperature Range:
-40°C~+110°C
- 8. Screw Torque Value: 0.5N·m
- 9.Suitable Electric Wire: 0.14~2.5mm²

Total Pitch Tolerances		Normal Dimension Tolerances	
0~30		0~30	
over 30~53		over 30~53	
over 53~70		over 53~70	
over 70~90		over 70~90	
over 90~115		over 90~115	
over 115~150		over 115~150	
over 150~200		over 150~200	
over 200~250		over 200~250	
over 250~320		over 250~320	

P	2	3	4	5	6	7	8	9	10	11	12	13
U	5.08	10.16	15.24	20.32	25.40	30.48	35.56	40.64	45.72	50.80	55.88	60.96
V	10.16	15.24	20.32	25.40	30.48	35.56	40.64	45.72	50.80	55.88	60.96	66.04
P	14	15	16	17	18	19	20	21	22	23	24	25
U	66.04	71.12	76.20	81.28	86.36	91.44	96.52	101.60	106.68	111.76	116.84	121.92
V	71.12	76.20	81.28	86.36	91.44	96.52	101.60	106.68	111.76	116.84	121.92	127.00

RoHS Compliant

HSM 玄茂科技股份有限公司

HSUAN MAO TECHNOLOGY CO., LTD.

APPD. 核准	<p>SCALE 比例 参考</p>	TOLERANCE 容許公差 .0 ± .00 ± ANG. ±	PART NAME 品名 5.08mm TERMINAL BLOCK 45° XXPIN H:15.5mm TIN PLATING SUITABLE FOR 12~24AWG GREEN INSULATOR ROHS
DWG. 製圖 Betty	UNIT 單位 M M	SIZE. 紙張尺寸 A 4	PART NO. 料號 C0938-XXP5TE00R
DATE 製表日 2017/06/16	PAGE 張數 1 OF 1	REV. 版次 B	