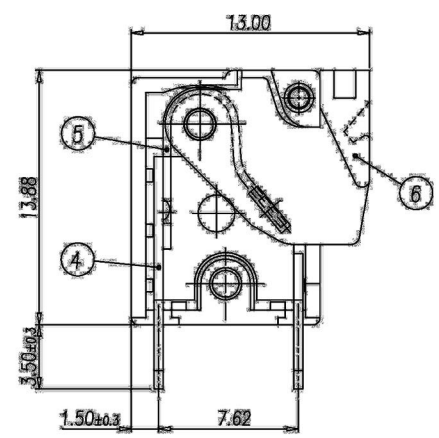
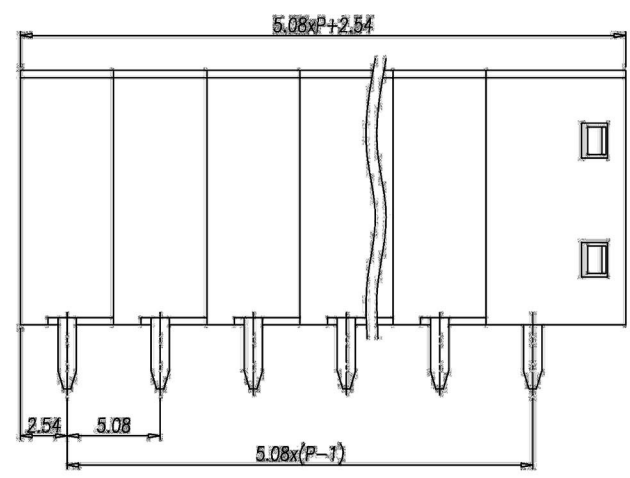
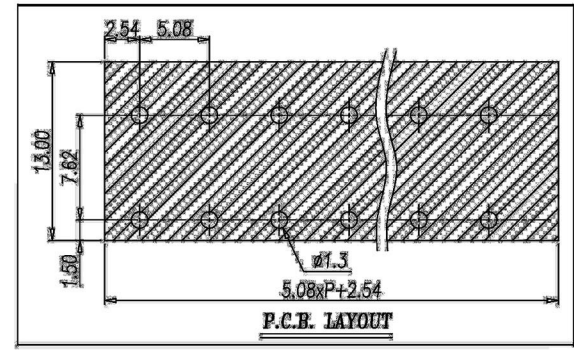
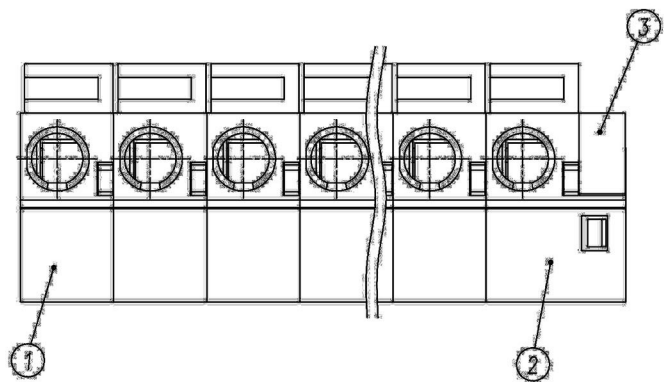


1 2 3 4 5 6 7 8

A
B
C
D
E
F
G
H

A
B
C
D
E
F
G
H



- NOTES:
- Rating: 300V 10A (IEC 450V 17.5A)
PITCH: 5.08mm
 - Insulation Withstands Voltage:
AC 2000V at 1 minute
 - Insulation Resistance:
500MΩ or more at 06500V
 - Using Temperature Range:
-40°C~+105°C
 - Suitable Electric Wire: AWG 22~14 (IEC 1.5mm²)
Strip length: 6~7mm
 - RoHS Compliance

Normal Geometric Tolerancing			
	<i>H</i>	<i>M</i>	<i>L</i>
0 to 100	0.2	0 to 10	0.2
over 100 to 150	0.3	over 10	0.3
over 150	0.5		
Total Pitch Tolerances		Normal dimension Tolerances	
0<U<=30	±0.20	0~30	±0.25
30<U<=53	±0.25	over 30~53	±0.30
53<U<=70	±0.30	over 53~70	±0.35
70<U<=90	±0.35	over 70~90	±0.44
90<U<=115	±0.44	over 90~115	±0.55
115<U<=150	±0.55	over 115~150	±0.70
150<U<=200	±0.70	over 150~200	±0.85
200<U<=250	±0.85	over 200~250	±1.00
250<U<=320	±1.00	over 250~320	±1.20

ITEM	NAME OF PART	MATERIAL	NOTES
6	LEVER	PA66	UL94-V0 ORANGE
5	CLAMPING	STEEL	
4	SOLDER PIN	COPPER ALLOY	Tin Plated
3	COVER	PA66	UL94-V0 GREEN
2	HOUSING 2	PA66	UL94-V0 GREEN
1	HOUSING 1	PA66	UL94-V0 GREEN

RoHS Compliant **HSM** 玄茂科技股份有限公司
HSUAN MAO TECHNOLOGY CO., LTD.

APPD. 核准		TOLERANCE 容許公差 .0 ± .00 ± ANG. ±	PART NAME 品名 5.08mm SIMPLE TYPE CAGE CLAMP TERMINAL BLOCK XXPIN H=13.88mm WIRE RANGE 14-22AWG TIN PLATED GREEN INSULATOR ROHS
DWG. 製圖 Hedy	SCALE 比例 參考	UNIT 單位 MM	PART NO. 料號 C0941-XXSUTE00R
DATE 制表日 2013/05/22	PAGE 張數 1 / 1	SIZE 紙張尺寸 A 4 REV. 版次 A	

1 2 3 4 5 6 7 8