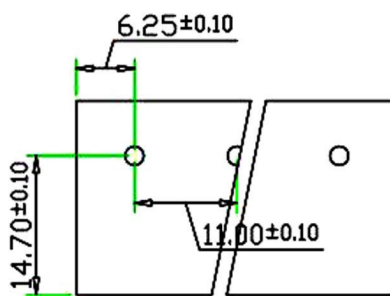
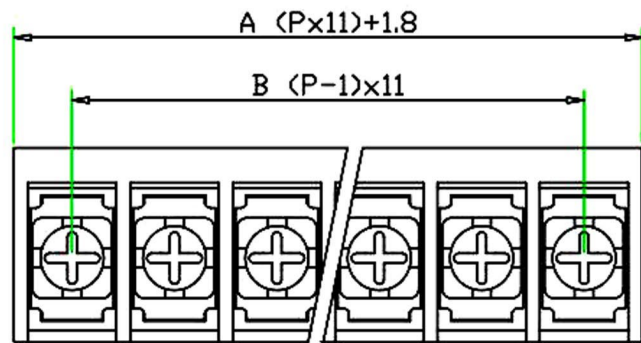


A



SPECIFICATIONS

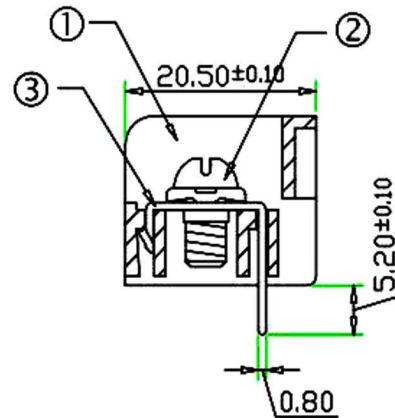
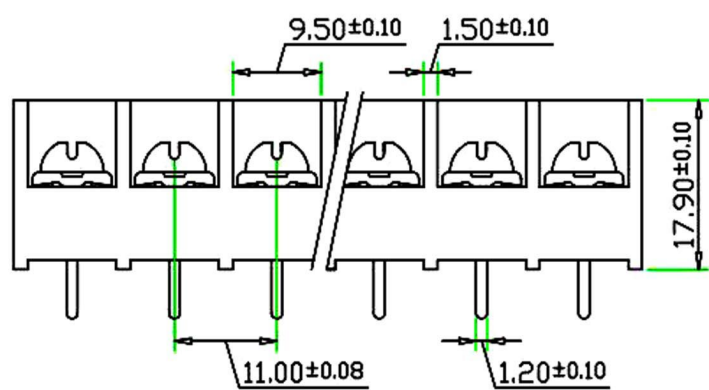
- ① Housing Material: Polyamide 66(UL94V-0), Black
- ② Screw: M4.0 Nickel Plated Steel
- ③ Terminals: Tin Plated Brass

Screws Torque: 20 In-Lb
 Wire Range: 12~22 AWG
 Rated: 30 Amperes.AC300V
 Operation Temperature: -55°C~+95°C
 Insulation withstands volt: AC2000V min
 Insulation resistance: >1000MΩ or more at DC500V

B

C

D



Tolerance ±0.5

POLE	2	3	4	5	6	7	8	9	10	11	12	13	14	15			
A	23.8	34.8	45.8	56.8	67.8	78.8	89.8	100.8	111.8	122.8	133.8	144.8	155.8	166.8			
B	11	22	33	44	55	66	77	88	99	110	121	132	143	154			
POLE	16	17	18	19	20	21	22	23	24	25	26	27	28	29	30	31	32
A	177.8	188.8	199.8	210.8	221.8	232.8	243.8	254.8	265.8	276.8	287.8	298.8	309.8	320.8	331.8	342.8	353.8
B	165	176	187	198	209	220	231	242	253	264	275	286	297	308	319	330	341

H

RoHS Compliant

HSM 玄茂科技股份有限公司
HSUAN MAO TECHNOLOGY CO., LTD.

APPD. 核准
 DWG. 製圖
 DATE 制表日
 Betty
 2015/07/22

SCALE 比例 參考
 UNIT 單位 M M
 PAGE 張數 1 OF 1

TOLERANCE 容許公差
 .0 ± 0.30
 .00 ± 0.20
 ANG. ± 3°
 SIZE. 紙張尺寸 A 4
 REV. 版次 A
 PART NAME 品名
 11.0mm Closed Barrier Type Terminal Block
 H=17.9mm XXPin Side Pin Wire Range:12~22AWG
 Tin Plating Black Color ROHS
 PART NO.
 料號 C0948-XXBXTB00R

A

B

C

D

E

F

G

H