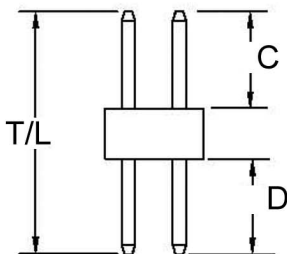
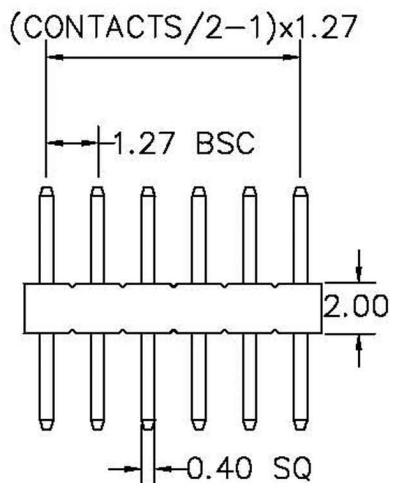


CONTACTS	2X26
2X2	2X27
2X3	2X28
2X4	2X29
2X5	2X30
2X6	2X31
2X7	2X32
2X8	2X33
2X9	2X34
2X10	2X35
2X11	2X36
2X12	2X37
2X13	2X38
2X14	2X39
2X15	2X40
2X16	2X41
2X17	2X42
2X18	2X43
2X19	2X44
2X20	2X45
2X21	2X46
2X22	2X47
2X23	2X48
2X24	2X49
2X25	2X50

RECOMMENDED P.C.B LAYOUT



C=3.0mm D=2.4mm T/L=7.4mm

MATERIAL

HOUSING : THERMOPLASTIC UL94V-0  
CONTACT : COPPER ALLOYS

SPECIFICATION

CURRENT: 1A  
OPERATING TEMPERATURE: -55°C TO +105°C  
CONTACT RESISTANCE : 30 MILLIOHMS MAX  
INSULATION RESISTANCE : 5000 MEGAOHMS MIN  
DIELECTRIC STRENGTH : 600 VAC MIN  
DURABILITY : 50 CYCLES  
RETENTION FORCE : 454g MIN

FINISH

CONTACT PLATING SEE ORDER INFORMATION

RoHS  
Compliant

**HSM** 玄茂科技股份有限公司  
HSUAN MAO TECHNOLOGY CO., LTD.

APPD.  
核准 Angel

DWG.  
製圖 Yumi

DATE 制表日  
2008/09/17



SCALE  
比例 參考

UNIT  
單位 M M  
PAGE  
張數 1 OF 1

TOLERANCE  
容許公差  
.0 ±0.38  
.00 ±0.25  
ANG. ±5°

SIZE  
紙張尺寸 A 4

REV.  
版次 A

PART NAME 品名  
1.27mm PIN HEADER DUAL ROW 2XXXP  
STRAIGHT TYPE H:2.0mm FULL GOLD  
PLATING (C=3mm D=2.4mm) ROHS LOW-LEAD

PART NO.  
料號 C1274-XXBSGBA0R